

Enclosed load break switches

COMO from 20 to 125 A

2017



your energy
our expertise





Enclosed load break switches

COMO

from 20 to 125 A

Integrated products & solutions



20 A, 3/4 poles, IEC
Polycarbonate

como-enc_001



25, 32, 40 A, 3/4 poles, IEC
Polycarbonate

como-enc_005



32, 63, 80, 100 A, 3/4/6/8 poles, IEC
Polycarbonate

como-enc_008



63, 125 A, 3/4/6/8 poles, IEC
Polycarbonate

como-enc_011

The solution for

- > OEM
- > Industries
- > Power distribution



Strong points

- > Compact design
- > IP 65
- > Safety of operations
- > Wide range

Conformity to standards

- > IEC 60947-3
- > EN 60947-3
(please consult us)



Available at your local distributor



Function

COMO are load break switches that will make and break on load and provide isolation for any low voltage electrical circuit. COMO are now available in **enclosed** version incorporating three, four, six and eight-pole manually operated load break switches.

The **new enclosed COMO** provide protection against contact with live parts as well as environmental factors such as dust, water and other hazards.

Advantages

Compact design

- The **enclosed COMO** range offers compact enclosures tailored to your needs. The range starts with the 20 A enclosure with dimensions of only 64x74.5 mm (2.5x2.93 in).

IP 65

- The IP65 protection degree provides protection against dust and high pressure water jets for any industrial application. Available in IP67 for the enclosed COMO 20 A.

Safety of operations

- Triple locking of the handle in the OFF position to ensure maximum safety for operators during maintenance operations.

Wide range

- The range offers a wide variety of variants depending on the number of poles, rating and enclosure type.

References

Rating (A)	Enclosure size	No. of poles	Reference (with grey/blue handle)	Reference (with yellow/red handle)
20 A	Size 0	3	2115 3301	2115 3401
		4	2115 4301	2115 4401
25 A	Size 1	3	2115 3302	2115 3402
		4	2115 4302	2115 4402
32 A	Size 1	3	2115 3303	2115 3403
		4	2115 4303	2115 4403
	Size 2	6	2115 6303	2115 6403
		8	2115 8303	2115 8403
40 A	Size 1	3	2115 3304	2115 3404
		4	2115 4304	2115 4404
63 A	Size 2	3	2115 3306	2115 3406
		4	2115 4306	2115 4406
	Size 3	6	2115 6306	2115 6406
		8	2115 8306	2115 8406
80 A	Size 2	3	2115 3308	2115 3408
		4	2115 4308	2115 4408
100 A	Size 2	3	2115 3309	2115 3409
		4	2115 4309	2115 4409
125 A	Size 3	3	2115 3312	2115 3412
		4	2115 4312	2115 4412

Accessories

Additional pole

Use

Installation of this solid pole converts a 3/4/6/8 pole enclosed COMO into a 3/4/6/8 pole+neutral enclosed load break switch.

The 4th pole can be added without tools on the right or left side of the device.

Max 1 additional module per device.

Solid neutral pole

Rating (A)	No. of poles	Type	Reference
25 ... 32	1	Unswitched	2115 5005
40 ... 63	1	Unswitched	2115 5007
80	1	Unswitched	2115 5009
100 ... 125	1	Unswitched	2115 5011

Possible configurations

Additional contact	Product	Additional contact
Aux. contact	3/4/6/8P	Aux. contact
Solid neutral	3/4/6/8P	Aux. contact
Aux. contact	3/4/6/8P	Solid neutral

Auxiliary contacts

Use

Pre-break and signalling of positions 0 and I by NO+NC or 2 NO auxiliary contacts.

They can be mounted on the left or right side of the device.

It is possible to add up to 2 auxiliary contacts on each product.

This is limited to 1 auxiliary contact when a solid neutral pole is used.

Rating (A)	No. of AC	Type of AC	Reference
25 ... 125	1	2 NO	2113 4002
	1	NO + NC	2113 4001



como_189_a

Enclosed load break switches

COMO

from 20 to 125 A

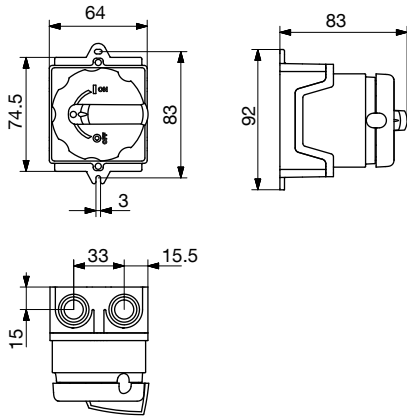
Characteristics

Characteristics according to IEC 60947-3

Thermal current at 40°C		20 A	25 A	32 A	40 A	63 A	80 A	100 A	125 A
Rated insulation voltage U_i (V)		690	690	690	690	690	690	690	690
Rated impulse withstand voltage U_{imp} (kV)		4	6	6	6	6	6	6	6
Rated current I_n									
Rated voltage	Utilisation category								
400 VAC	AC-21A	20	25	32	40	63	80	100	125
400 VAC	AC-22A	20	25	32	40	63	80	100	125
400 VAC	AC-23A	15	20	22	40	44	53	70	84
400 VAC	AC-3A	11.3	16	20	22	36	43	53	70
690 VAC	AC-21A	20	25	32	40	63	80	100	125
690 VAC	AC-23A	-	12	13	18	22	23,5	34	41
690 VAC	AC-3A	-	9.5	11.5	13	17.5	22	25.5	35
Operational power in AC-23 (kW) ⁽¹⁾									
400 VAC		7.5	9.5	11.5	20	22	30	37	45
690 VAC		-	12	13	18	22	25.5	34	41
Operational power in AC-3 (kW) ⁽¹⁾									
400 VAC		11.3	16	20	22	36	43	53	70
690 VAC		-	9.5	11.5	13	17.5	22	25.5	35
Fuse protected short-circuit withstand (kA rms prospective) at 400VAC									
Prospective short-circuit current (kA rms)		1	8	8	8	8	10	20	20
Associated fuse rating (A)		20	25	32	40	63	80	100	125
Circuit breaker protected short-circuit withstand with any breaker that ensures tripping in less than 0.3s									
Rated short-time withstand current 0.3s I_{cw} (kA rms)		0.68	0.68	1.28	1.28	2.52	2.52	4	4
Short-circuit capacity (without protection)									
Rated short-time withstand current 1s I_{cw} (kA rms)		0.34	0.34	0.64	0.64	1.26	1.26	2	2
Connection									
Minimum Cu cable cross-section (mm ²)		1.5	2.5	2.5	2.5	2.5	2.5	4	4
Maximum Cu cable cross-section (mm ²)		4	10	10	10	16	25	35	50
Tightening torque min/max (Nm)		1/1.2	2.5/3	2.5/3	2.5/3	2.5/3	2.5/3	2.5/3	2.5/3
Mechanical characteristics									
Durability (number of operating cycle)		100 000	100 000	100 000	100 000	100 000	100 000	100 000	100 000
Operating effort - 3 pole device (Nm)		0.25	1	1	1	1	1.5	1.5	1.5
Operating effort - 4 pole device (Nm)		0.25	1	1	1	1	1.5	1.5	1.5
Weight of a 3 P enclosure (kg)		0.152	0.386	0.386	0.386	0.579	0.717	0.766	1.62
Weight of a 4 P enclosure (kg)		0.152	0.42	0.42	0.42	0.619	0.806	0.833	1.709
Weight of a 6 P enclosure (kg)		-	-	0.812	-	1.544	-	-	-
Weight of a 8 P enclosure (kg)		-	-	0.912	-	1.613	-	-	-

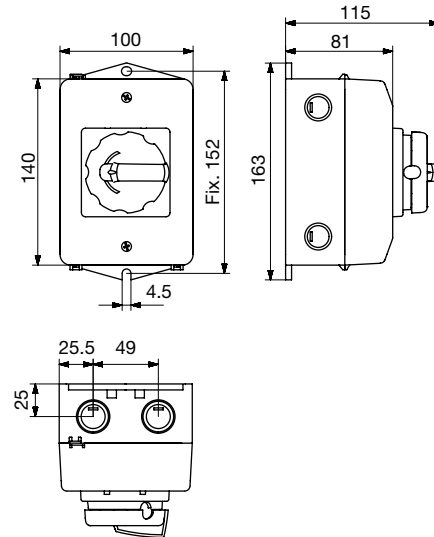
Dimensions

Size 0



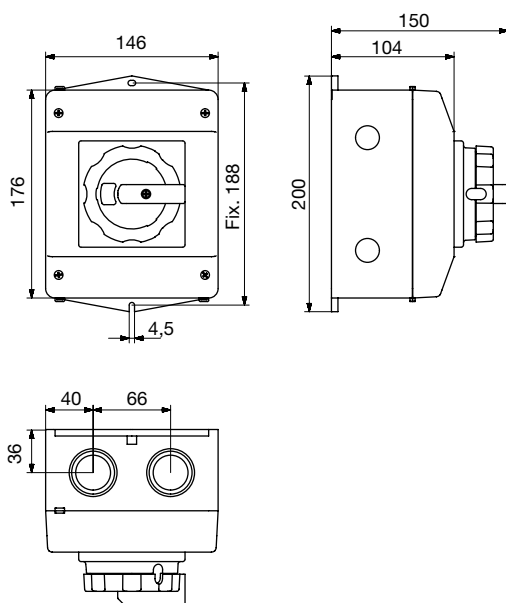
- 4 pre-drilled holes M25 (top and bottom)

Size 1



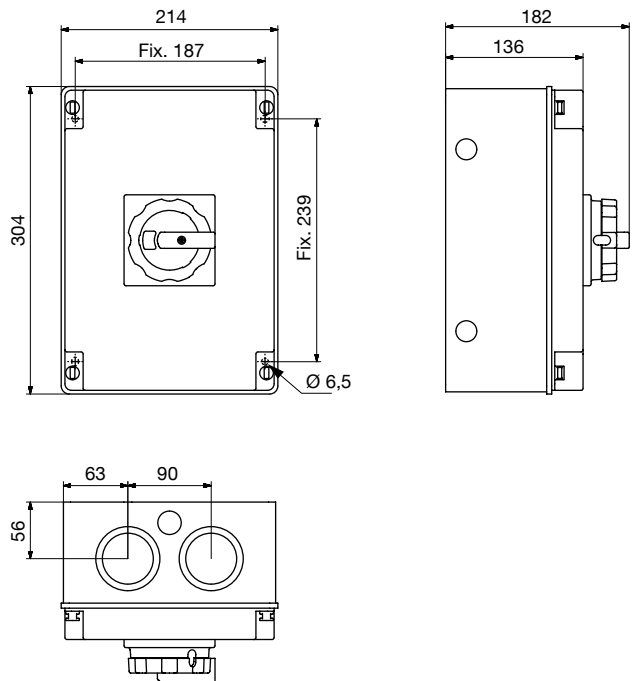
- 4 pre-drilled holes M20 (on the side)
- 4 pre-drilled holes M25 (top and bottom)
- 4 pre-drilled holes for water escape

Size 2



- 4 pre-drilled holes M20 (on the side)
- 4 pre-drilled holes M32/M40 (top and bottom)
- 2 pre-drilled holes for water escape

Size 3



- 4 pre-drilled holes M20 (on the side)
- 4 pre-drilled holes M50/M63 and 2 pre-drilled holes M20 (top and bottom)
- 2 pre-drilled holes for water escape

Socomec worldwide

BELGIUM

Critical Power / Power Control & Safety /
Energy Efficiency
Paepsem Business Park
Boulevard Paepsem 18 E Paepsem
B-1070 Brussels
Tel. 02 340 02 30
Fax 02 346 28 99
info.be@socomec.com

IN EUROPE

FRANCE

Critical Power / Power Control & Safety /
Energy Efficiency
dcm.ups.fr@socomec.com

GERMANY

Critical Power
info.ups.de@socomec.com
Power Control & Safety / Energy Efficiency
info.scp.de@socomec.com

ITALY

Critical Power
info.ups.it@socomec.com
Power Control & Safety / Energy Efficiency
info.scp.it@socomec.com

NETHERLANDS

Critical Power / Power Control & Safety /
Energy Efficiency
info.nl@socomec.com

POLAND

Critical Power
info.ups.pl@socomec.com
Power Control & Safety / Energy Efficiency
info.scp.pl@socomec.com

PORTUGAL

Critical Power / Power Control & Safety /
Energy Efficiency
info.ups.pt@socomec.com

ROMANIA

Critical Power / Power Control & Safety /
Energy Efficiency
info.ro@socomec.com

SERBIA

Critical Power / Power Control & Safety /
Energy Efficiency
info.rs@socomec.com

SLOVENIA

Critical Power / Power Control & Safety /
Energy Efficiency
info.si@socomec.com

SPAIN

Critical Power / Power Control & Safety /
Energy Efficiency
info.es@socomec.com

SWITZERLAND

Critical Power
info@socomec.ch

TURKEY

Critical Power / Power Control & Safety /
Energy Efficiency
info.tr@socomec.com

UNITED KINGDOM

Critical Power / Power Control & Safety /
Energy Efficiency
info.uk@socomec.com

IN ASIA PACIFIC

AUSTRALIA

Critical Power / Power Control & Safety
info.ups.au@socomec.com

CHINA

Critical Power / Power Control & Safety /
Energy Efficiency
info.cn@socomec.com

INDIA

Critical Power / Power Control & Safety /
Energy Efficiency
info.in@socomec.com

SINGAPORE

Critical Power / Power Control & Safety /
Energy Efficiency
info.sg@socomec.com

THAILAND

Critical Power
info.ups.th@socomec.com

IN MIDDLE EAST

UNITED ARAB EMIRATES

Critical Power / Power Control & Safety /
Energy Efficiency
info.ae@socomec.com

IN AMERICA

USA, CANADA & MEXICO

Power Control & Safety / Energy Efficiency
info.us@socomec.com

OTHER COUNTRIES

NORTH AFRICA

Algeria / Morocco / Tunisia
info.naf@socomec.com

AFRICA

Other countries
info.africa@socomec.com

SOUTH EUROPE

Cyprus / Greece / Israel / Malta
info.se@socomec.com

SOUTH AMERICA

info.es@socomec.com

MORE DETAILS

www.socomec.com/worldwide

HEAD OFFICE

SOCOMECC GROUP

SAS SOCOMECC capital 10 686 000 €
R.C.S. Strasbourg B 548 500 149
B.P. 60010 - 1, rue de Westhouse
F-67235 Benfeld Cedex - FRANCE
Tel. +33 3 88 57 41 41
Fax +33 3 88 74 08 00
info.scp.isd@socomec.com

YOUR DISTRIBUTOR / PARTNER

www.socomec.com

your energy
our expertise



ENERGY
SPECIALIST
SINCE 1922

socomec
Innovative Power Solutions