

# ATyS A and ATyS C

Automatic transfer switching equipment  
for source changeover applications

from 125 to 3200 A

2021



When **energy** matters



# ATyS A - ATyS C

## Automatic Transfer Switching Equipment

from 125 to 3200 A with integrated ATS controller

Transfer switches

new



### The solution for

- > Mains/mains and Mains/Genset applications
- > With RS485 communication (ATyS C) or basic ATS controller (ATyS A)



### Strong points

- > Fully certified ATSE with door mounted controller
- > ATS controller with integrated AC Double Power Supply and functions dedicated to mains/mains or mains/genset applications
- > RS485 Communication with ATyS C

### Conformity to standards

- > IEC 60947-6-1
- > IEC 60947-3
- > IEC 61010-2-201 (ATS controller)



### Function

ATyS A and ATyS C are 4 pole automatic transfer switches, with positive break indication. They incorporate the functions intended for mains/mains applications and mains/genset applications.

In automatic mode they enable the monitoring of, and the on-load changeover between, two power supply sources, in accordance with the parameters configured via DIP switches. They are intended for use in low voltage power supply systems where a brief interruption of the load supply is acceptable during transfer.

Remote monitoring of the ATyS C is possible through RS485 communication.

### Advantages

#### Rapid commissioning

Voltage tapping and cable harness are supplied in a single package with motorised transfer switch and ATS controller. ATyS A and C switches offer significant time saving during commissioning (process takes 2 to 3 minutes). Owing to the design that allows commissioning through eight DIP switches, a screwdriver is all that is required.

#### Watchdog relay to check product availability

ATyS A and ATyS C products are equipped with a Watchdog relay which constantly monitors your product, thereby securing the installation. This relay informs in real time the product's availability to the user, i.e. whether it is operational and ready for source switching.

#### ATyS C with RS845 communication

An RS485 communication offers the remote monitoring possibilities of available power sources and their parameters & timers. Communication speed is up to 38400 bauds.

#### Integrated design

The integrated design of the TSE offers an easy door mounting possibility of the ATS controller with the help of wire harness. Whilst providing an IP4x protection degree it enables an access to source availability and switch position visual information, as well as to the manual remote controls option.

#### Cable harness

The cable harness is an easy way of powering ATyS A or ATyS C transfer switch systems. It's equipped with voltage tags and provides a reliable link between controller and changeover switch for:

- tracking power sources availability,
- monitoring changeover switch availability,
- an electrical interlock function,
- control and transfer between power sources.

Cable harness length is approximately 2 meters.

### General characteristics

- Main/Main or Main/Genset networks.
- ATS with 3 stable positions : I - 0 - II.
- Built-in mechanical interlock.
- Emergency manual operation handle.
- Top or bottom incoming sources.
- ATS controller self-powered from sensing : 184 - 300 VAC.
- ATS controller optional 24 VDC aux power supply.
- Three-phase + Neutral or Single-phase + Neutral networks.
- Voltage sensing on all phases.
- Phase rotation checking.
- RS485 Modbus communication with ATyS C.
- Door or DIN rail mounted controller.

## Front panel of the controller



1. Controller status indication.
2. Configuration dip-switches.
3. Lamp test / Test on Load (3s).
4. Position orders (in Manual).
5. Auto/Manu mode selector.
6. Mimic panel.

		1	2	3	4	5	6	7	8	Res	
A	B										
1	2	3	4	5	6	7	8				
Network	Prio set	Order Mod	$\Delta U$ $\Delta F$	ODT	FT	RT					
3P+N A	S1 A	Pulse A	10% 5% A	2s A	3s A			0 min A	A	3 min A	B
1P+N B	no prio B	Maint. B	20% 10% B	0s B	10s B			10 min B	A	30min B	B

ODT: Dead band timer      RT: Return timer  
FT: Failure timer      Res: Set/Reset button

DIP switches allow quick and easy configuration. It's not required to power the controller during configuration. After powering on it will read the latest DIP switches values.

## References

### ATyS A - ATyS C

Rating (A) / Frame size	No. of poles	ATyS A	ATyS C with RS485 communication	Terminal shrouds	Terminal screens	Auxiliary contact	
125 A / B3	4 P	9515 4012 SL	9525 4012 SL	2694 4014 <sup>(2)</sup>	1509 4012	1599 0502	
160 A / B3	4 P	9515 4016 SL	9525 4016 SL		1509 4025		
200 A / B3	4 P	9515 4020 SL	9525 4020 SL		1509 4063		
250 A / B4	4 P	9515 4025 SL	9525 4025 SL	2694 4051 <sup>(2)</sup>	1509 4080		
315 A / B4	4 P	9515 4031 SL	9525 4031 SL		1509 3160		
400 A / B4	4 P	9515 4040 SL	9525 4040 SL		1509 4200		
500 A / B5	4 P	9515 4050 SL	9525 4050 SL	2694 4014 <sup>(2)</sup>	1509 4012	1599 0532	
630 A / B5	4 P	9515 4063 SL	9525 4063 SL				1509 4080
800 A / B6	4 P	9515 4080 SL	9525 4080 SL				1509 3160
1000 A / B6	4 P	9515 4100 SL	9525 4100 SL		1509 4200	included	
1250 A / B6	4 P	9515 4120 SL	9525 4120 SL				
1600 A / B7	4 P	9515 4160 SL	9525 4160 SL				
2000 A / B8	4 P	9515 4200 G	9525 4200 G	2694 4051 <sup>(2)</sup>	1509 4200	included	
2500 A / B8	4 P	9515 4250 G	9525 4250 G				
3200 A / B8	4P	9515 4320 G	9525 4320 G				

(1) Bridging bars are included upto 1600 A.

(2) To fully shroud front, rear, top and bottom 4 references required.

To shroud front switch top and bottom 2 references required.

# ATyS A - ATyS C

Automatic Transfer Switching Equipment  
from 125 to 3200 A with split ATS controller

## Accessories

### Terminal shrouds

#### Use

IP2X protection against direct contact with terminals or connecting parts.

#### Advantages

Perforations allow remote thermographic inspection without the need to remove the shrouds.



access\_206\_a\_2\_cat

Rating (A)	Frame size	No. of poles	Position	Reference
125 ... 200	B3	4 P	top / bottom / front (I) / rear (II)	2694 4014 <sup>(1)(2)</sup>
250 ... 400	B4	4 P	top / bottom / front (I) / rear (II)	2694 4021 <sup>(1)(2)</sup>
500 ... 630	B5	4 P	top / bottom / front (I) / rear (II)	2694 4051 <sup>(1)(2)</sup>

(1) For complete shrouding at front, rear, top and bottom, order quantity 4; if equipped with bridging bars order quantity 3.

(2) For top and bottom shrouding for the front only, order quantity 2.

### Terminal screens

#### Use

Upstream and downstream protection against direct contact with terminals or connection parts.

For upstream and downstream protection, order quantity 1.



access\_207\_a\_2\_cat

Rating (A)	Frame size	No. of poles	Position	Reference
125 ... 200	B3	4 P	top / bottom	1509 4012
250 ... 400	B4	4 P	top / bottom	1509 4025
500 ... 630	B5	4 P	top / bottom	1509 4063
800 ... 1250	B6	4 P	top / bottom	1509 4080
1600	B7	4 P	top / bottom	1509 4160
2000 ... 3200	B8	4 P	top / bottom	1509 4200

### Inter-phase barrier

#### Use

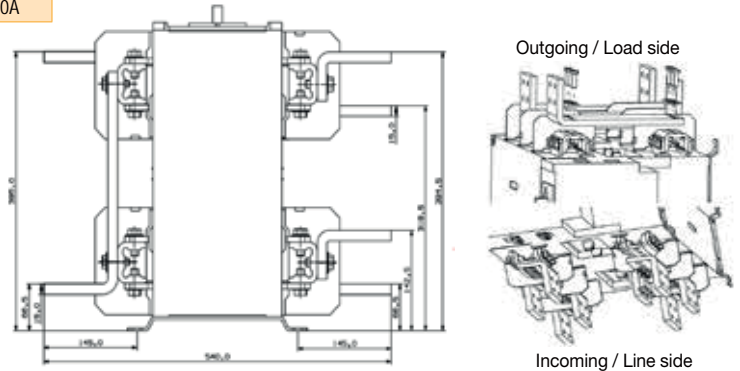
Safe isolation between the terminals, essential for use at 690 VAC or in a polluted or dusty atmosphere.

Rating (A)	Frame size	No. of poles	Reference
125 ... 200	B3	4 P	2998 0034
250 ... 400	B4	4 P	2998 0024
500 ... 630	B5	4 P	2998 0014
800 ... 3200	B6 ... B8	4 P	included

## Bridging bars kit

For ratings 2000 to 2500 A

S.No	Description	Req. Qty / Switch	Reference
1	Bridging bar B3/4 P line side	1	2619 4251A
2	Bridging bar B8/4 P load side	1	4109 4250A
3	U bridge 1 P connector B8 CU	16	2619 1200A



### For ratings 3200 A

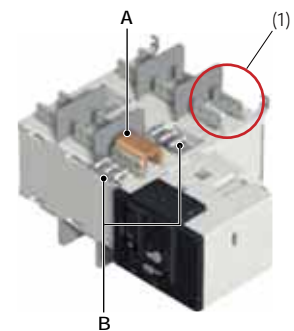
Enables:

- Flat connection: The connection pieces provide a link between the two power terminals of the same pole (Fig. 1).
- Edgewise connection: The connection pieces provide a link between the two power terminals of the same pole and an edgewise bar connection terminal.
- Top or bottom bridging between two poles (Fig. 3).

Once installed, the power terminal is connection ready

For 3200 A rating, connection pieces (part A) are supplied as standard. Bolt sets must be ordered separately.

Fig. 1



(1) Single pole connection: 1 pole (top or bottom) comprises two power terminals which are to be linked with the copper connection kit.

access\_459\_a\_1\_x\_cat

Connection: The quantities given in the below table refer to the number of pieces required per pole, top or bottom.

Bridging connection: The quantities given refer to the number of pieces required to complete a single bridging connection between two poles.

	Reference	3200 A		
		Fig. 1	Fig. 2	Fig. 3
		Connection		Bridging connection I - II
		Flat	Edgewise	
Connection - part A	2619 1200A	included	included	included
Bolt kit 35 mm - part B	2699 1201A	1 <sup>(1)</sup>		2 <sup>(2)</sup>
Bolt kit 45 mm - part B	2699 1200A	1 <sup>(1)</sup>		
T + Bolt kit - part C	2629 1200A		1	1
Bracket + Bolt kit - part D	2639 1200A		1	
Bar + Bolt kit - part E	4109 0320A			1

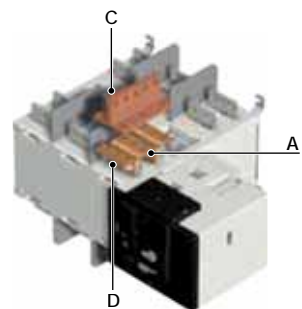
(1) Choose the bolt length according to the thickness of the bars being connected; if bar thickness is greater than 20 mm, 45 mm bolts are required.

(2) For bridging connections, quantity 2 pieces are required for creating the link between the two power terminals of the same pole for switch bodies I and II.

The Below items are required to order for one SIRCOVER Switch (3200A)

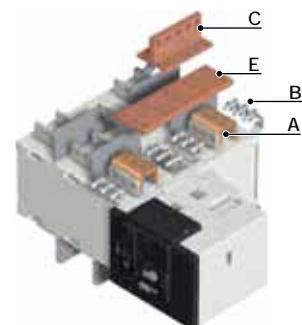
Part	Total quantity	Reference
Bolt kit 45 mm - part B	16	2699 1200
T + Bolt kit - part C	12	2629 1200
Bracket + Bolt kit - part D	8	2639 1200
Bar + Bolt kit - part E	4	4109 0320

Fig. 2



access\_460\_a\_1\_x\_cat

Fig. 3



access\_461\_a\_1\_x\_cat

# ATyS A - ATyS C

Automatic Transfer Switching Equipment  
from 125 to 3200 A with split ATS controller

## Accessories (continued)

### Autotransformer

#### Use

For applications without neutral, this autotransformer provides the 230 VAC required to power these ATyS products.

Rating (A)	Frame size	Reference
125 ... 3200	B3 ... B8	1599 4064

### DC power supply

#### Use

Allows an ATyS to be supplied from a 12 or 24 VDC source. To be positioned as close as possible to the DC power supply source.

Rating (A)	Frame size	Operating voltage	Reference
125 ... 1600	B3 ... B7	12 VDC / 230 VAC	1599 5012
125 ... 1600	B3 ... B7	24 VDC / 230 VAC	1599 5112
125 ... 1600	B3 ... B7	48 VDC / 230 VAC	1599 5212

### Auxiliary contact

#### Use

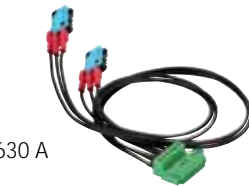
Pre-break and signalling of positions I and II: each reference provides 1 NO/NC auxiliary contact for positions I and II. Possibility to install up to 2 auxiliary contacts for each position.

Low level AC: contact us. ATyS are supplied with 1 NO aux contact for all three positions as standard.



800 to 1600 A

If additional auxiliary contacts are required please consult us.



125 to 630 A

Rating (A)	Frame size	Nominal current (A)	Operating current I <sub>o</sub> (A)			
			250 VAC AC-13	400 VAC AC-13	24 VDC DC-13	48 VDC DC-13
125 ... 3200	B3 ... B8	16	12	8	14	6

Rating (A)	Frame size	Type of mounting	Reference
125 ... 630	B3 ... B5	Customer fit	1599 0502
800 ... 1600	B6 ... B7	Customer fit	1599 0532
2000 ... 3200	B8	-	2 AC per position fitted as standard

### Auto/Manual key selector

#### Use

Replaces the standard Auto/Manual selector knob with a key selector.

Rating (A)	Frame size	Reference
125 ... 3200	B3 ... B8	9599 1007

## Characteristics of ATS controllers

### Characteristics

Electrical characteristics	
AC operating limits	184 <sup>(1)</sup> - 300 VAC
Optional DC supply	24 VDC
Frequency limits	45 - 65 Hz
Power consumption	< 10 W
Inputs	5 - fixed (auto inhibit & 24 VDC fire input, position indication I-0-II)
Outputs	4 - fixed (position control I-0-II & genset start)
Impulse withstand	6/4 kV <sup>(2)</sup>
Overvoltage category	CAT 3

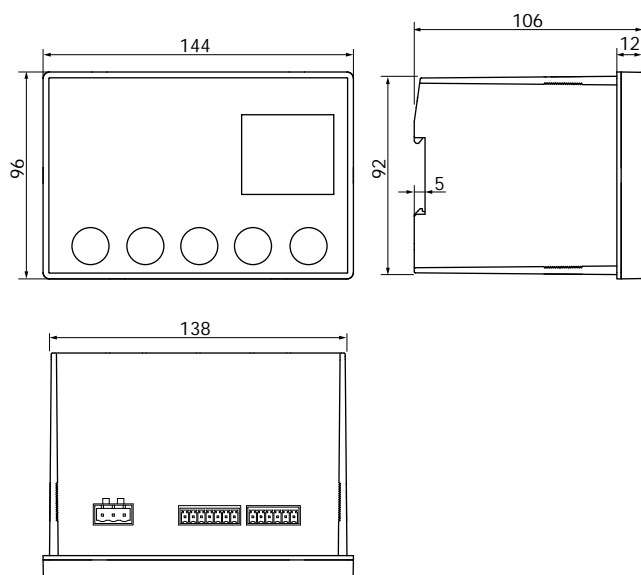
Mechanical characteristics	
Weight	845 gr
Door cutout	138 x 93 mm
Operating temperature	-25 ... +60°C
Communications ATyS C	
Interface type	RS485. 2 to 3 half duplex wires
Protocol	MODBUS RTU
Baudrate	38400

(1) 190 VAC in contactor mode.

(2) 6 kV tested between phases of a different source and 4 kV tested between phases of a the same source.

## Dimensions of ATS controllers

### Dimensions (mm)



atysc\_001\_b\_1\_x\_cat.ai

# ATyS A - ATyS C

## Automatic Transfer Switching Equipment

from 125 to 3200 A with split ATS controller

### Characteristics according to IEC 60947-3 and IEC 60947-6-1

#### 125 to 630 A

Thermal current $I_{th}$ to 40°C	125 A	160 A	200 A	250 A	315 A	400 A	500 A	630 A	
Frame size	B3	B3	B3	B4	B4	B4	B5	B5	
Rated insulation voltage $U_i$ (V) (power circuit)	800	800	800	1000	1000	1000	1000	1000	
Rated impulse withstand voltage $U_{imp}$ (kV) (power circuit)	8	8	8	12	12	12	12	12	
Rated insulation voltage $U_i$ (V) (control circuit)	300	300	300	300	300	300	300	300	
Rated impulse withstand voltage $U_{imp}$ (kV) (control circuit)	4	4	4	4	4	4	4	4	
Rated operational currents $I_e$ (A) according to IEC 60947-3									
Rated voltage	Utilisation category	A/B <sup>(1)</sup>	A/B <sup>(1)</sup>	A/B <sup>(1)</sup>	A/B <sup>(1)</sup>	A/B <sup>(1)</sup>	A/B <sup>(1)</sup>	A/B <sup>(1)</sup>	A/B <sup>(1)</sup>
415 VAC	AC-21 A / AC-21 B	125/125	160/160	200/200	250/250	315/315	400/400	500/500	630/630
415 VAC	AC-22 A / AC-22 B	125/125	160/160	200/200	250/250	315/315	400/400	500/500	630/630
415 VAC	AC-23 A / AC-23 B	125/125	160/160	200/200	200/200	315/315	400/400	500/500	500/630
500 VAC	AC-21 A / AC-21 B	125/125	160/160	200/200	250/250	315/315	400/400	500/500	630/630
500 VAC	AC-22 A / AC-22 B	125/125	160/160	200/200	200/250	200/315	200/400	500/500	500/500
500 VAC	AC-23 A / AC-23 B	80/80	80/80	80/80	200/200	200/200	200/200	400/400	400/400
690 VAC <sup>(3)</sup>	AC-21 A / AC-21 B	125/125	160/160	200/200	200/200	200/200	200/200	500/500	500/500
690 VAC <sup>(3)</sup>	AC-22 A / AC-22 B	125/125	125/125	125/125	160/160	160/160	160/160	400/400	400/400
690 VAC <sup>(3)</sup>	AC-23 A / AC-23 B	63/80	63/80	63/80	125/125	125/125	125/125	400/400	400/400
220 VDC	DC-21 A / DC-21 B	125/125	160/160	200/200	250/250	250/250	250/250	500/500	630/630
220 VDC	DC-22 A / DC-22 B	125/125	160/160	200/200	250/250	250/250	250/250	500/500	630/630
220 VDC	DC-23 A / DC-23 B	125/125	125/125	125/125	200/200	200/200	200/200	500/500	630/630
440 VDC <sup>(2)</sup>	DC-21 A / DC-21 B	125/125	125/125	125/125	200/200	200/200	200/200	500/500	630/630
440 VDC <sup>(2)</sup>	DC-22 A / DC-22 B	125/125	125/125	125/125	200/200	200/200	200/200	500/500	630/630
440 VDC <sup>(2)</sup>	DC-23 A / DC-23 B	125/125	125/125	125/125	200/200	200/200	200/200	500/500	630/630
Rated operational currents $I_e$ (A) according to IEC 60947-6-1									
Rated voltage	Utilisation category								
415 VAC	AC-31 B	125	160	200	250	315	400	500	630
415 VAC	AC-32 B				200	315	400	500	500
415 VAC	AC-33 B				200	200	200	400	400
Current rated as conditional short-circuit with fuse gG DIN, according to IEC 60947-3									
Prospective fuse protected short-circuit withstand at 415 VAC <sup>(6)</sup>		100	100	50	50	50	50	50	50
Prospective fuse protected short-circuit withstand at 690 VAC(kA rms)					50	50	50	50	50
Associated fuse rating (A)		125	160	200	250	315	400	500	630
Short-circuit withstand without protection as per IEC 60947-3									
Rated short-time withstand current 0.3s $I_{cw}$ at 415 VAC (kA rms)		12	12	12	15 <sup>(4)</sup>	15 <sup>(4)</sup>	15 <sup>(4)</sup>	17 <sup>(4)</sup>	17 <sup>(4)</sup>
Rated short-time withstand current 1s $I_{cw}$ at 415 VAC (kA rms)		7	7	7	8 <sup>(4)</sup>	8 <sup>(4)</sup>	8 <sup>(4)</sup>	11 <sup>(4)</sup>	10 <sup>(4)</sup>
Rated peak withstand current at 415 VAC (kA peak)		20	20	20	30	30	30	45	45
Short-circuit withstand without protection as per IEC 60947-6-1									
Rated short-time withstand current 30 ms $I_{cw}$ at 415 VAC (kA rms)		10	10	10	10	10	10		
Rated short-time withstand current 60 ms $I_{cw}$ at 415 VAC (kA rms)								10	12.6
Connection									
Minimum Cu cable cross-section (mm <sup>2</sup> )		35	35	50	95	120	185	2 x 95	2 x 120
Recommended Cu busbar cross-section (mm <sup>2</sup> )								2 x 32 x 5	2 x 40 x 5
Maximum Cu cable cross-section (mm <sup>2</sup> )		50	95	120	150	240	240	2 x 185	2 x 300
Maximum Cu busbar width (mm)		25	25	25	32	32	32	50	50
Min./max. tightening torque (Nm)		9/13	9/13	9/13	20/26	20/26	20/26	40/45	40/45
Switching time (rated voltage, after receiving command)									
Transfer time I-II or II-I (s)		0.85	0.85	0.85	0.9	0.9	0.9	0.95	0.95
I-0 or II-0 (s)		0.55	0.55	0.55	0.5	0.5	0.5	0.55	0.55
Contact transfer time ("black-out" I-II) minimum (s)		0.3	0.3	0.3	0.4	0.4	0.4	0.4	0.4
Power supply									
Min./max. power (VAC)		166/332	166/332	166/332	166/332	166/332	166/332	166/332	166/332
Control supply power demand									
Demand/rated power (VA) - ATyS		184/92	184/92	184/92	276/115	276/115	276/115	276/150	276/150
Mechanical specifications									
Durability (number of operating cycles)		10,000	10,000	10,000	8,000	8,000	8,000	5,000	5,000
Weight ATyS 4 P (kg)		6.9	6.9	6.9	7.4	7.8	7.8	13.3	14.0

(1) Category with index A = frequent operation - Category with index B = infrequent operation.

(2) 4-pole device with 2 poles in series by polarity.

(3) Interphase barriers must be installed on the products.

(4) Values given at 690 VAC.



800 to 3200 A

Thermal current I <sub>th</sub> at 40°C	800 A	1000 A	1250 A	1600 A	2000 A	2500 A	3200 A
Frame size	B6	B6	B6	B7	B8	B8	B8
Rated insulation voltage U <sub>i</sub> (V) (power circuit)	1000	1000	1000	1000	1000	1000	1000
Rated impulse withstand voltage U <sub>imp</sub> (kV) (power circuit)	12	12	12	12	12	12	12
Rated insulation voltage U <sub>i</sub> (V) (control circuit)	300	300	300	300	300	300	300
Rated impulse withstand voltage U <sub>imp</sub> (kV) (control circuit)	4	4	4	4	4	4	4
<b>Rated operational currents I<sub>e</sub> (A) according to IEC 60947-3</b>							
Rated voltage	Utilisation category	A/B <sup>(1)</sup>	A/B <sup>(1)</sup>	A/B <sup>(1)</sup>	A/B <sup>(1)</sup>	A/B <sup>(1)</sup>	A/B <sup>(1)</sup>
415 VAC	AC-21 A / AC-21 B	800/800	1000/1000	1250/1250	1600/1600	-/2000	-/2500
415 VAC	AC-22 A / AC-22 B	800/800	1000/1000	1250/1250	1600/1600	-/2000	-/2500
415 VAC	AC-23 A / AC-23 B	800/800	1000/1000	1250/1250	1250/1250	-/1600	-/1600
500 VAC	AC-21 A / AC-21 B	800/800	1000/1000	1250/1250	1600/1600	-/2000	-/2000
500 VAC	AC-22 A / AC-22 B	630/630	800/800	1000/1000	1600/1600		
500 VAC	AC-23 A / AC-23 B	630/630	630/630	800/800	1000/1000		
690 VAC <sup>(3)</sup>	AC-21 A / AC-21 B	800/800	1000/1000	1250/1250	1600/1600	-/2000	-/2000
690 VAC <sup>(3)</sup>	AC-22 A / AC-22 B	630/630	800/800	1000/1000	1000/1000		
690 VAC <sup>(3)</sup>	AC-23 A / AC-23 B	630/630	630/630	800/800	800/800		
220 VDC	DC-21 A / DC-21 B	800/800	1000/1000	1250/1250	1250/1250		
220 VDC	DC-22 A / DC-22 B	800/800	1000/1000	1250/1250	1250/1250		
220 VDC	DC-23 A / DC-23 B	800/800	1000/1000	1250/1250	1250/1250		
440 VDC <sup>(2)</sup>	DC-21 A / DC-21 B	800/800	1000/1000	1250/1250	1250/1250		
440 VDC <sup>(2)</sup>	DC-22 A / DC-22 B	800/800	1000/1000	1250/1250	1250/1250		
440 VDC <sup>(2)</sup>	DC-23 A / DC-23 B	800/800	1000/1000	1250/1250	1250/1250		
<b>Rated operational currents I<sub>e</sub> (A) according to IEC 60947-6-1</b>							
Rated voltage	Utilisation category						
415 VAC	AC-31 B	800	1000	1250	1600	2000	2500
415 VAC	AC-32 B	800	1000	1250	1250	2000	2000
415 VAC	AC-33 B	800	1000	1000	1000	1250	1250
<b>Current rated as conditional short-circuit with fuse gG DIN, according to IEC 60947-3</b>							
Prospective fuse protected short-circuit withstand at 415 VAC (kA rms)	50	50	100	100			
Prospective fuse protected short-circuit withstand at 690 VAC (kA rms)	50	50	50				
Associated fuse rating (A)	800	1000	1250	2x800			
<b>Short-circuit withstand without protection as per IEC 60947-3</b>							
Rated short-time withstand current 0.3s I <sub>cw</sub> at 415 VAC (kA rms)	64	64	64	78	78	78	78
Rated short-time withstand current 1s I <sub>cw</sub> at 415 VAC (kA rms)	35	35	35	50	50	50	50
Rated peak withstand current at 415 VAC (kA peak)	55	55	80	110	120	120	120
<b>Short-circuit withstand without protection as per IEC 60947-6-1</b>							
Rated short-time withstand current 30 ms I <sub>cw</sub> at 415 VAC (kA rms)							
Rated short-time withstand current 60 ms I <sub>cw</sub> at 415 VAC (kA rms)	20	20	25	32	50	50	50
<b>Connection</b>							
Minimum Cu cable cross-section (mm <sup>2</sup> )	2 x 185						
Recommended Cu busbar cross-section (mm <sup>2</sup> )	2 x 50 x 5	2 x 63 x 5	2 x 60 x 7	2 x 100 x 5	3 x 100 x 5	2 x 100 x 10	3 x 100 x 10
Maximum Cu cable cross-section (mm <sup>2</sup> )	4 x 185	4 x 185	4 x 185	6 x 185			
Maximum Cu busbar width (mm)	63	63	63	100	100	100	100
Min./max. tightening torque (Nm)	9/13	9/13	20/26	40/45	40/45	40/45	40/45
<b>Switching time (rated voltage, after receiving command)</b>							
Transfer time I-II or II-I (s)	2.8	2.8	2.8	2.9	2.8	2.8	2.8
I-0 or II-0 (s)	1.4	1.4	1.4	1.4	1.8	1.8	1.8
Contact transfer time ("black-out" I-II) minimum (s)	1.4	1.4	1.4	1.5	1	1	1
<b>Power supply</b>							
Min./max. power (VA)	166/332	166/332	166/332	166/332	166/332	166/332	166/332
<b>Control supply power demand</b>							
Demand/rated power (VA) - ATyS	460/184	460/184	460/184	460/230	812/322	812/322	812/322
<b>Mechanical specifications</b>							
Durability (number of operating cycles)	4,000	4,000	4,000	3,000	3,000	3,000	3,000
Weight ATyS 4 P (kg)	32.2	32.9	33.6	39.4	61.6	61.6	75.3

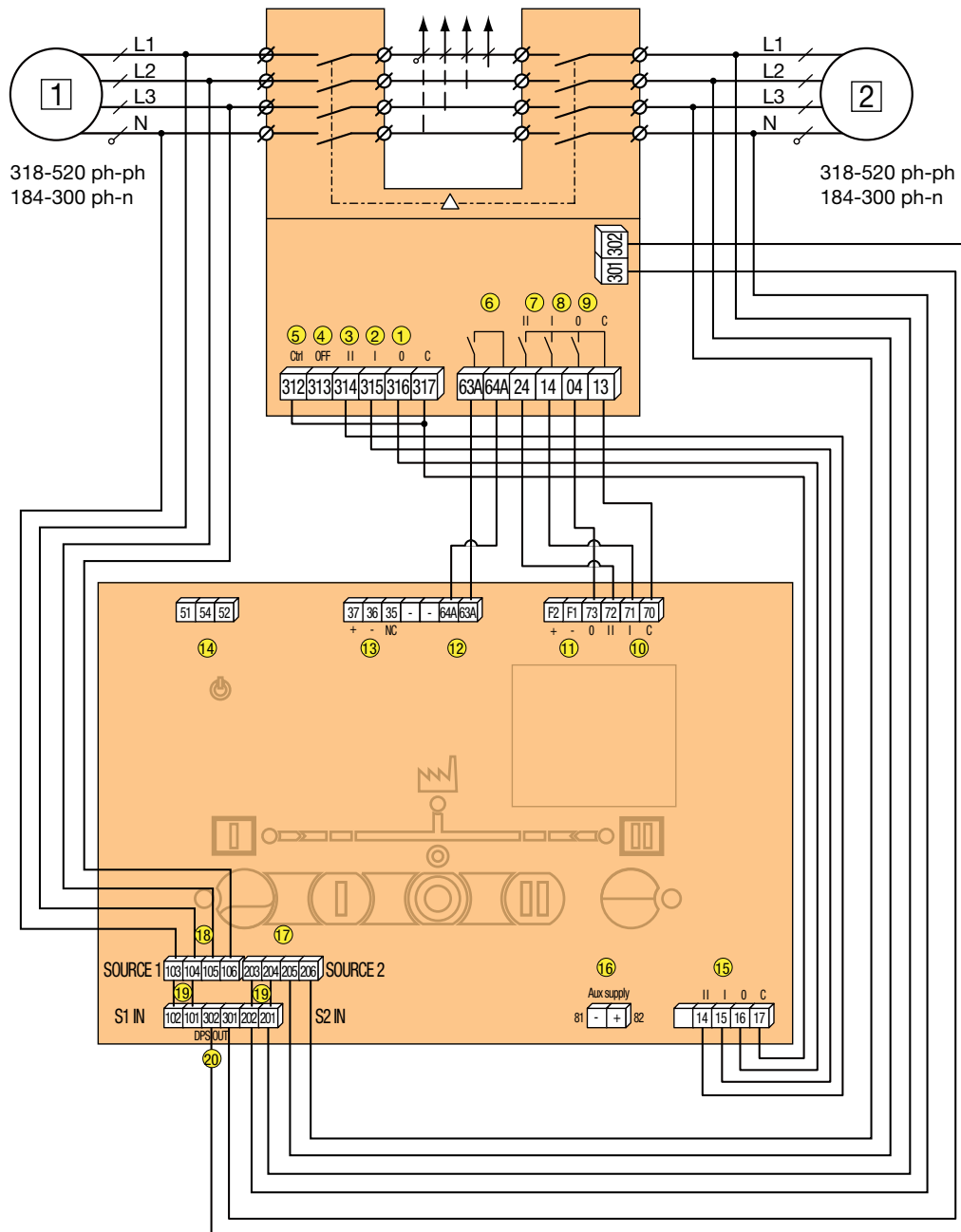
(1) Category with index A = frequent operation - Category with index B = infrequent operation.  
(2) 4-pole device with 2 poles in series by polarity.  
(3) Interphase barriers must be installed on the products.  
(4) Values given at 690 VAC.

# ATyS A - ATyS C

Automatic Transfer Switching Equipment  
from 125 to 3200 A with split ATS controller

## Connections and terminals

### ATS controller connection with ATyS transfer switch



\*Using a Socomec cable harness kit excludes the need for fuses

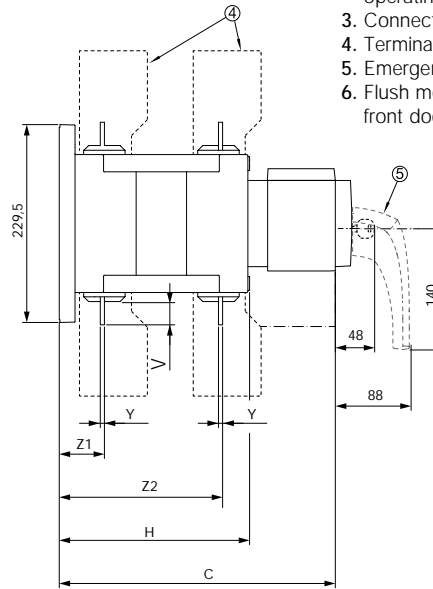
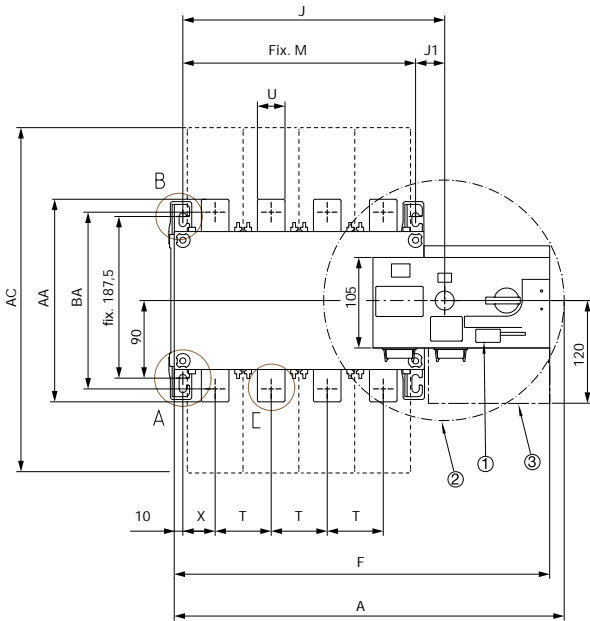
- 1 primary source (network or genset)
- 2 backup source (mains network or genset)

- 1: position 0 control (contact or logic if closed)
- 2: position I control
- 3: position II control
- 4: primary control position 0
- 5: closing this contact allows position control commands
- 6: product availability relay
- 7: auxiliary contact - closed when the switch is in position II
- 8: auxiliary contact - closed when the switch is in position I
- 9: auxiliary contact - closed when the switch is in position 0

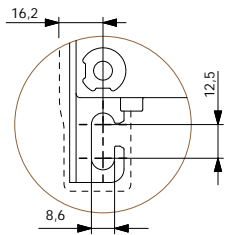
- 10. Switch position inputs
- 11. 24 VDC fire input (forces 0 & inhibit)
- 12. Control inputs
- 13. ATyS C specific function : RS485 communication
- 14. Genset start NO/NC output
- 15. Control outputs to transfer device
- 16. 24 VDC aux power supply (for optional use)
- 17. Voltage sensing S2
- 18. Voltage sensing S1
- 19. DPS input (source 1 and 2)
- 20. DPS output to motor

## Dimensions

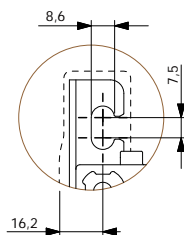
125 to 630 A / B3 to B5



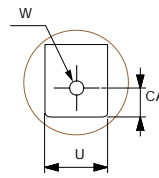
1. Padlocking Facility: Locking bracket for up to 3 padlocks of dia. 4 – 8mm
2. Emergency manual operation: Maximum operating radius with an operating angle of 2x 90°
3. Connection and disconnection area
4. Terminal shrouds
5. Emergency removable handle
6. Flush mounting cutout dimensions for front door



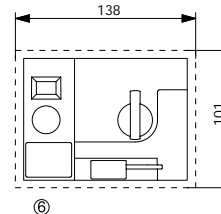
DETAIL A



DETAIL B



DETAIL C



Ⓓ

atysc\_042\_a\_x.ai

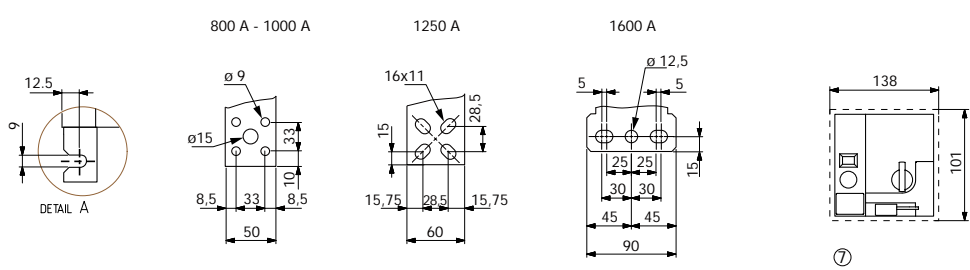
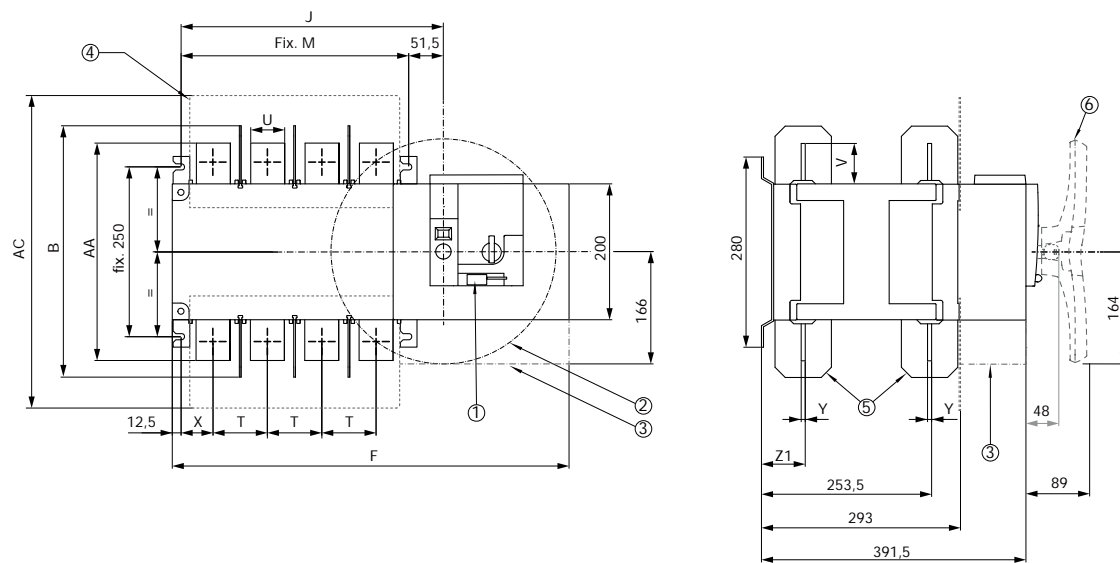
	125 A	160 A	200 A	250 A	315 A	400 A	500 A	630 A
	4 P	4 P	4 P	4 P	4 P	4 P	4 P	4 P
<b>A</b>	334	334	334	395	395	395	454	454
<b>AA</b>	135	135	135	160	170	170	260	260
<b>AC</b>	233	233	233	288	288	288	402	402
<b>BA</b>	115	115	115	130	140	140	220	220
<b>C</b>	244	244	244	244	244	244	321	321
<b>CA</b>	10	10	10	15	15	15	15	20
<b>F</b>	317	317	317	378	378	378	437	437
<b>H</b>	151	151	151	152	152	152	221	221
<b>J</b>	184	184	184	245	245	245	304	304
<b>J1</b>	34	34	34	35	35	35	34	34
<b>M</b>	150	150	150	150	210	210	270	270
<b>T</b>	36	36	36	50	50	50	65	65
<b>U</b>	20	20	20	25	35	35	32	45
<b>V</b>	25	25	25	30	35	35	50	500
<b>W</b>	9	9	9	11	11	11	14	13
<b>X</b>	22	22	22	33	33	33	37,5	37,5
<b>Y</b>	3.5	3.5	3.5	3.5	3.5	3.5	5	5
<b>Z1</b>	38	38	38	39.5	39.5	39.5	53	53
<b>Z2</b>	134	134	134	133.5	133.5	133.5	190	190

# ATyS A - ATyS C

Automatic Transfer Switching Equipment  
from 125 to 3200 A with split ATS controller

## Dimensions (continued)

800 to 1600 A / B6 to B7

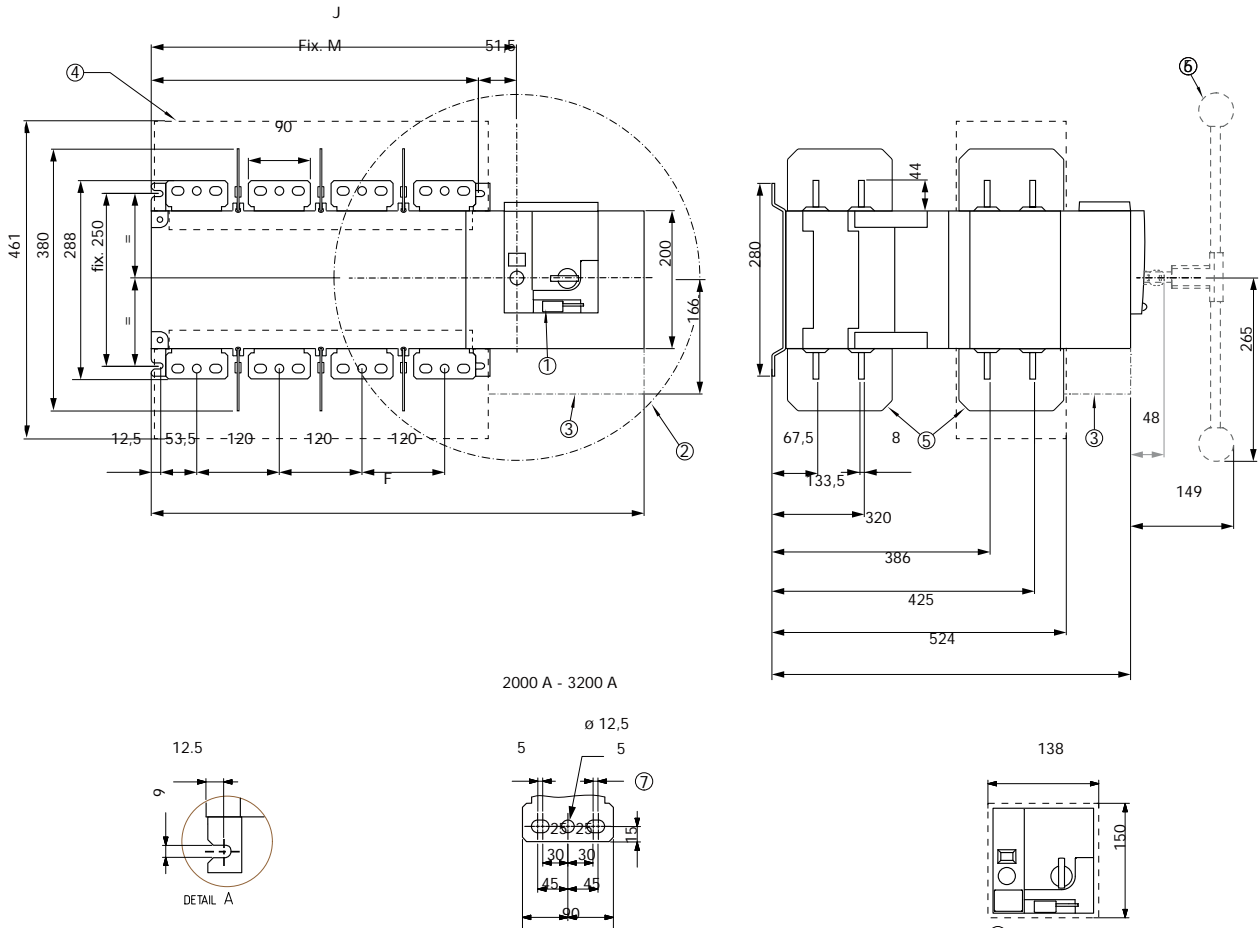


	800 A	1000 A	1250 A	1600 A
	<b>4 P</b>	<b>4 P</b>	<b>4 P</b>	<b>4 P</b>
<b>AA</b>	321	321	330	288
<b>AC</b>	461	461	461	531
<b>B</b>	370	370	370	380
<b>F</b>	584	584	584	716
<b>J</b>	387	387	387	519
<b>M</b>	335	335	335	467
<b>T</b>	80	80	80	120
<b>U</b>	50	50	60	90
<b>V</b>	60.5	60.5	65	44
<b>X</b>	47.5	47.5	47.5	53
<b>Y</b>	7	7	7	8
<b>Z1</b>	66.5	66.5	66.5	67.5

1. Padlocking Facility: Locking bracket for up to 3 padlocks of dia. 4 – 8mm
2. Emergency manual operation: Maximum operating radius with an operating angle of 2x 90°
3. Connection and disconnection area
4. Terminal screen
5. Phase Barriers
6. Emergency removable handle
7. Flush mounting cutout dimensions for front door

atysc\_043\_a\_x.ai

## 2000 to 3200 A / B8



2000 A - 3200 A

	2000 A	3200 A
	4 P	4 P
<b>F</b>	716	716
<b>J</b>	518,5	518,5
<b>M</b>	467	467

1. Padlocking Facility: Locking bracket for up to 3 padlocks of dia. 4 – 8mm
  2. Emergency manual operation: Maximum operating radius with an operating angle of 2x 90°
  3. Connection and disconnection area
  4. Terminal shields
  5. Phase Barriers
  6. Emergency removable handle
  7. Frame B8, (Dual frame) factory fitted power terminal connections
1. Flush mounting cutout dimensions for front door

atysc\_04a\_x.ai



Model: SOCOMEC  
Production: SOCOMEC  
Photography: Martin Bernhart et Studio Objectif  
Printing:

# Socomec: our innovations supporting your energy performance

**1** independent manufacturer

**3,600** employees worldwide

**10** % of sales revenue dedicated to R&D

**400** experts dedicated to service provision

## Your power management expert



POWER SWITCHING



POWER MONITORING



POWER CONVERSION



ENERGY STORAGE



EXPERT SERVICES

## The specialist for critical applications

- Control, command of LV facilities
- Safety of persons and assets
- Measurement of electrical parameters
- Energy management
- Energy quality
- Energy availability
- Energy storage
- Prevention and repairs
- Measurement and analysis
- Optimisation
- Consultancy, commissioning and training

## A worldwide presence

**12** production sites

- France (x3)
- Italy (x2)
- Tunisia
- India
- China (x2)
- USA (x3)

**28** subsidiaries and commercial locations

- Algeria • Australia • Belgium • China • Canada
- Dubai (United Arab Emirates) • France • Germany
- India • Indonesia • Italy • Ivory Coast • Netherlands
- Poland • Portugal • Romania • Serbia • Singapore
- Slovenia • South Africa • Spain • Switzerland
- Thailand • Tunisia • Turkey • UK • USA

**80** countries

where our brand is distributed

## India corporate office

Socomec Innovative Power Solutions Pvt. Ltd.  
B1, II Floor  
Thiru-Vi-Ka Industrial Estate  
Guindy, Chennai - 600 032  
Tel: +91 44 3921 5400 / 5466  
Mob: +91 9711229993, +91 9940633654  
info.in@socomec.com



## Manufacturing facility

Socomec India Private Limited.  
756 Pace City II  
Sector 37  
Gurgaon - 122 001  
Haryana  
Tel: +91 124 4562700, 4597803  
Fax: +91 124 4562733  
CIN: U00000HR1999PTC038504

## Regional & resident offices

Ahmedabad : +91 8939008184, +91 9727753931  
Bengaluru : +91 9886323448, +91 9972578171  
Chandigarh : +91 9023154784  
Chennai : +91 9940147003  
Cochin : +91 8939550688, +91 9745012322  
Coimbatore : +91 8939550688, +91 9003032012  
Hyderabad : +91 9642528800, +91 9959444277  
Indore : +91 9827674469  
Kolkata : +91 7550078077, +91 8697709095  
Mumbai : +91 9987052602, +91 8879791802  
New Delhi : +91 9953595413, +91 9958591713  
Pune : +91 8793144968, +91 9987052604  
Trivandrum : +91 9020179364  
Vadodara : +91 9099947988  
Vijaywada : +91 9515100473

## HEAD OFFICE

### SOCOMEK GROUP

SAS SOCOMEK capital 10 749 940 €  
R.C.S. Strasbourg B 548 500 149  
B.P. 60010 - 1, rue de Westhouse  
F-67235 Benfeld Cedex  
Tel. +33 3 88 57 41 41 - Fax +33 3 88 57 78 78  
info.scp.isd@socomec.com

## YOUR DISTRIBUTOR / PARTNER

[www.socomec.co.in](http://www.socomec.co.in)

