

SIRCOVER

Manual Transfer Switching Equipment

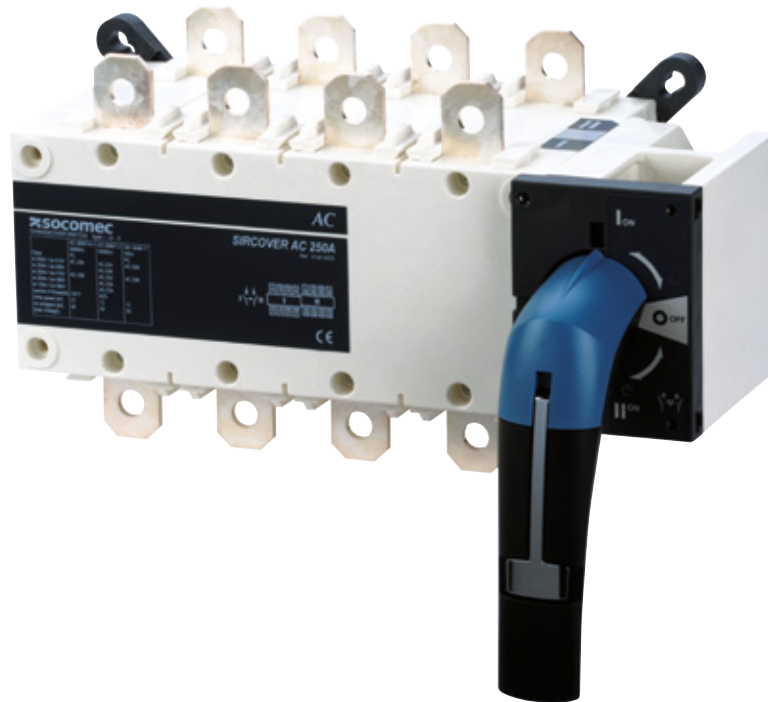
from 125 to 3200 A



When **energy** matters

 **socomec**
Innovative Power Solutions

Why choose Socomec's *SIRCOVER*?



Constant power availability keeps your activity safe and efficient. At Socomec, we have been designing, manufacturing and testing switchgear since 1922 and guarantee safe, reliable and long lasting Transfer Switching Equipment (TSE) for your electrical installation. All our solutions are fully compliant with Class PC of IEC 60947-6-1, the international product standard for TSE.

Today, more than 3 million installations and major integrators worldwide are secured with a Socomec transfer switch. Each day, their smile is ON knowing that their operations will always keep on running.



Safe operation

The ability to execute a manual transfer - even under load supply - at any time. Based on load break switching technology, the isolation function guarantees safe downstream maintenance operations.



Reliability

Fully mechanical operation with no dependence on electronics. High MTBF to ensure maximum availability.



Proven technology

Integrated solution that has been engineered and tested according to IEC 60947-6-1 Class PC standard requirements for transfer switching.



Easy to use

Error-free thanks to the most reliable mechanically held contact technology. A simple design with clear position indication.



Maintenance free

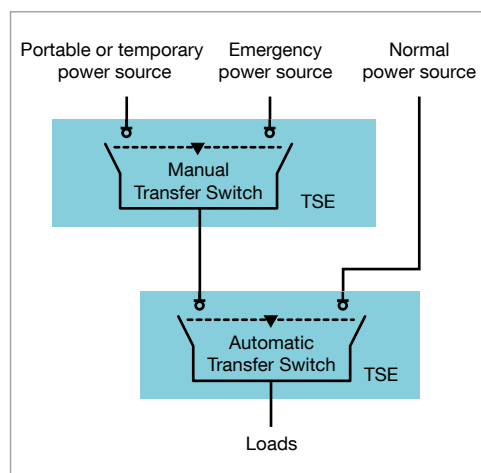
Virtually no maintenance required at any level. Just one operation per year is sufficient to ensure long term reliability.

Why do you need Transfer Switching Equipment (TSE)?

Power outages can occur, even in high reliability distribution networks, leading to major incidents and losses on critical applications :

- Emergency systems.
- Healthcare facilities.
- Server rooms.
- Production lines.

To maximize your power availability, the Socomec range will safely transfer from any unstable or lost source to an alternate source. Furthermore, we ensure that you are prepared at all times thanks to our unique safety functions that facilitate maintenance on your low voltage electrical installation.



Robust and cost effective power availability

Contact us to find out how your application could benefit from SIRCOVER.



Emergency or portable power sources

An interrupted power supply to a production line can result in significant downtime and economic losses. Production continuity can be guaranteed by providing the installation with an alternate power source and a safe and reliable transfer system.

External maintenance bypass

Convert your power electronic device - such as a UPS or speed drive - to a fully replaceable and maintainable system, thanks to the all-in-one SIRCOVER BYPASS switch. If you switch your UPS to static bypass you can even perform the bypass operation without a blackout by using the I-I+II-II version.



Restore power when the utility fails with stand-by generating sets

Hit by a power-cut? Simply plug your generator into your installation and changeover with an easy to use manually operated transfer switch.

Main features

Load break switch based
High Isc withstand.

IEC 60947-3
IEC 60947-6-1
GB/T 14048.11
Class PC & UL1008
Standards compliance.

Safety functions:

- Padlocking and isolation for **maintenance**.
- Inherent mechanical **interlock**.
- **3 stable** positions mechanically held.

Upgradeable
Motorize your transfer switch by adding Socomec's ATyS modules.


Compact design
back-to-back format.

Multiple accessories and product versions that adapt to your needs:

- I-O-II.
- Bypass.
- Overlapped.
- Enclosed.
- Integrate within a system.

No maintenance needed
Self-cleaning contacts.

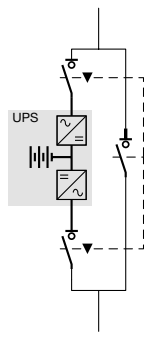
Improve your redundancy with a Bypass solution




Bypass an UPS

- I-O-II version 125 – 1600 A.
- I-I+II-II version 125 – 1600 A.
- Integrated external bypass for UPS.

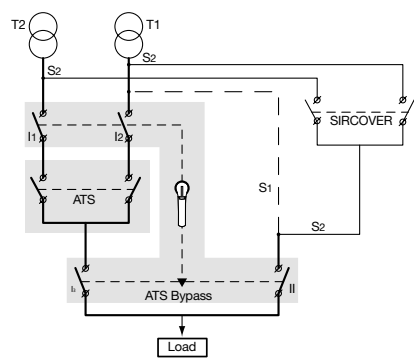
SIRCOVER Bypass





Bypass an ATS

SIRCOVER ATS Bypass





A solution for every application

Manual		Remotely operated		Automatic		Enclosed	
DC				Static		Bypass	

Socomec: our innovations supporting your energy performance

1 independent manufacturer

3,600 employees
worldwide

10 % of sales revenue
dedicated to R&D

400 experts
dedicated to service provision

Your power management expert



POWER
SWITCHING



POWER
MONITORING



POWER
CONVERSION



ENERGY
STORAGE



EXPERT
SERVICES

The specialist for critical applications

- Control, command of LV facilities
- Safety of persons and assets
- Measurement of electrical parameters
- Energy management
- Energy quality
- Energy availability
- Energy storage
- Prevention and repairs
- Measurement and analysis
- Optimisation
- Consultancy, commissioning and training

A worldwide presence

12 production sites

- France (x3)
- Italy (x2)
- Tunisia
- India
- China (x2)
- USA (x3)

28 subsidiaries and commercial locations

- Algeria • Australia • Belgium • China • Canada
- Dubai (United Arab Emirates) • France • Germany
- India • Indonesia • Italy • Ivory Coast • Netherlands
- Poland • Portugal • Romania • Singapore • Slovenia
- South Africa • Spain • Switzerland • Thailand
- Tunisia • Turkey • UK • USA

80 countries

where our brand is distributed

SOCOMEK INNOVATIVE POWER SOLUTION PVT. LTD.

B1, II Floor
Thiru-Vi-Ka Industrial Estate
Guindy, Chennai - 600 032
Tel: +91 44 3921 5400 / 5423 / 5466
Mob: +91 971 1229993, +91 9790968731
info.in@socomec.com

YOUR DISTRIBUTOR / PARTNER

www.socomec.co.in

