

ATyS S

Remote Transfer Switching Equipment
from 40 to 125 A



When **energy** matters

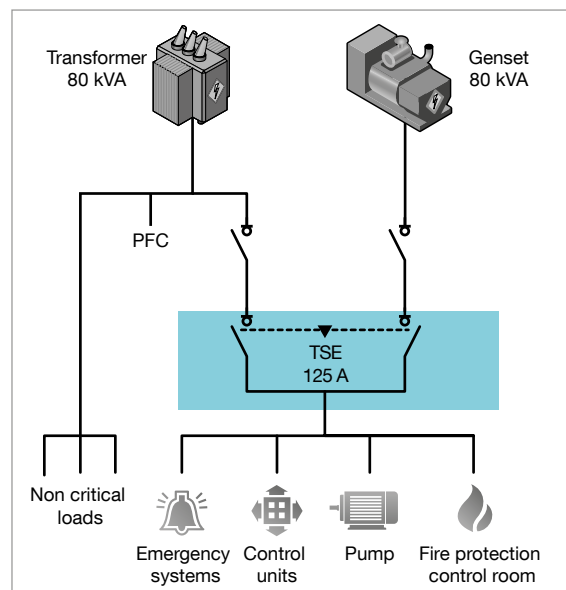
 **socomec**
Innovative Power Solutions

Why do you need Transfer Switching Equipment (TSE)?

Power outages can occur, even in high reliability distribution networks, leading to major incidents and losses on critical applications :

- Emergency systems.
- Healthcare facilities.
- Server rooms.
- Production lines.

To maximize your power availability, the Socomec range will safely transfer from any unstable or lost source to an alternate source. Furthermore, we ensure that you are prepared at all times thanks to our unique safety functions that facilitate maintenance on your low voltage electrical installation.



ATyS S rides through any unstable network

Contact us to find out how your application could benefit from ATyS S.



Portable backup source switching

Use ATyS S with portable diesel generators up to 80 kVA to guarantee a safe transfer when the main power source is no longer available.

Unstable grids power guaranteed

In many areas, blackouts are frequent and the electrical network is very unstable. The ATyS S is engineered to perform in any type of network. Totally unaffected by voltage fluctuations that can burn contactor coils.



Hybrid solutions power transfer

Renewable energy integration within electrical grids and off-grid applications are becoming more common every day. Use ATyS technology to safely switch between two different sources at any time.

Why choose Socomec's *ATyS S*?



Constant power availability keeps your activity safe and efficient. At Socomec, we have been designing, manufacturing and testing switchgear since 1922 and guarantee safe, reliable and long lasting Transfer Switching Equipment (TSE) for your electrical installation. All our solutions are fully compliant with Class PC of IEC 60947-6-1, the international product standard for TSE.

Today, more than 3 million installations and major integrators worldwide are secured with a Socomec transfer switch. Each day, their smile is ON knowing that their operations will always keep on running.



Easy to use

Easily switch between automatic, manual and padlocked operating modes.



Safe operation

Manual emergency transfer always accessible, even when the enclosure door is closed.



Reliable

Not being affected by voltage fluctuations. This prevents the welding of the contacts as well as operating coil failure. The possibility to replace the motor maximises the availability.



Time and space saving

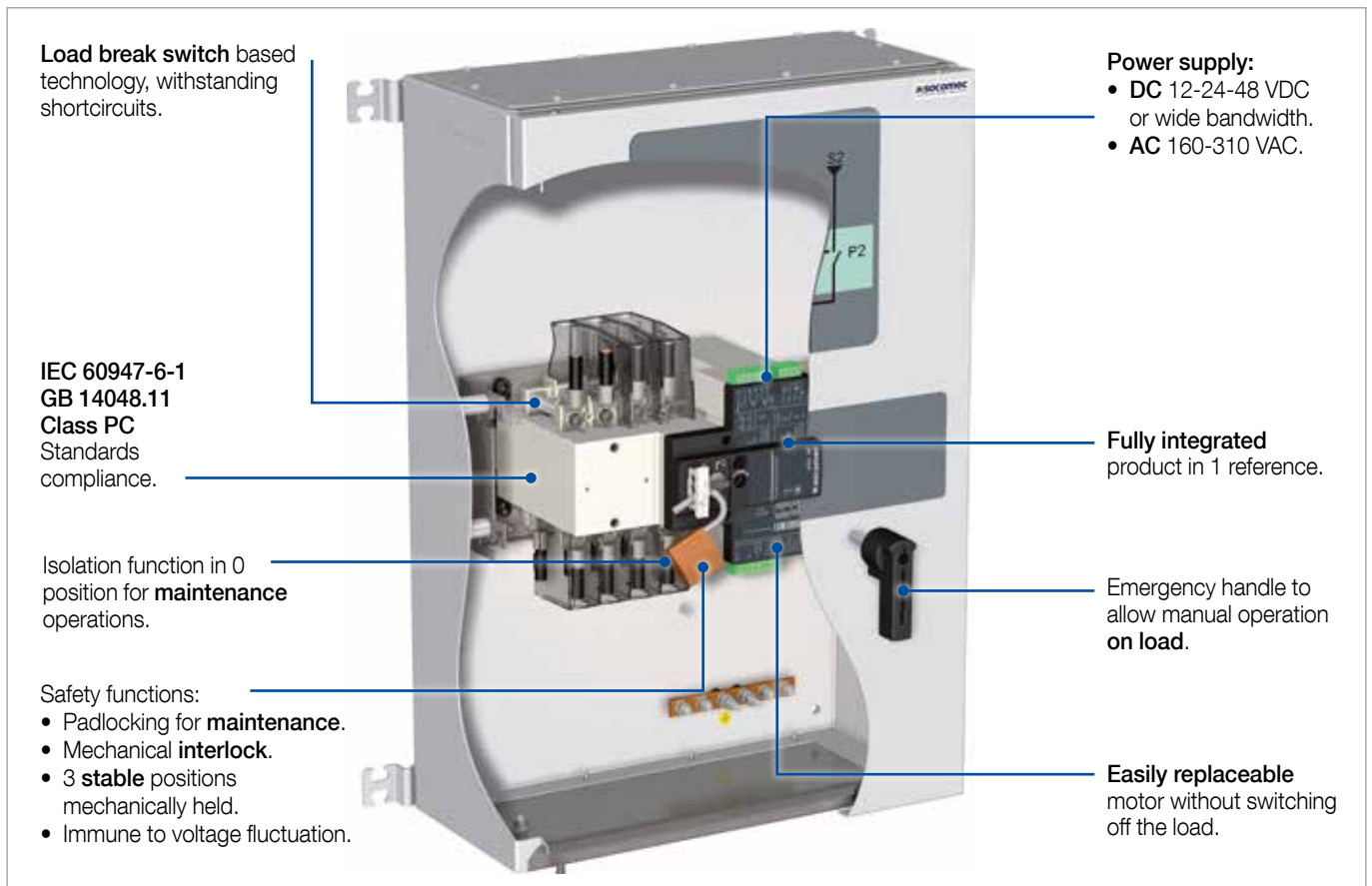
Fully integrated back to back switch that enables the ATyS S to fit directly into any 200 mm depth enclosure.



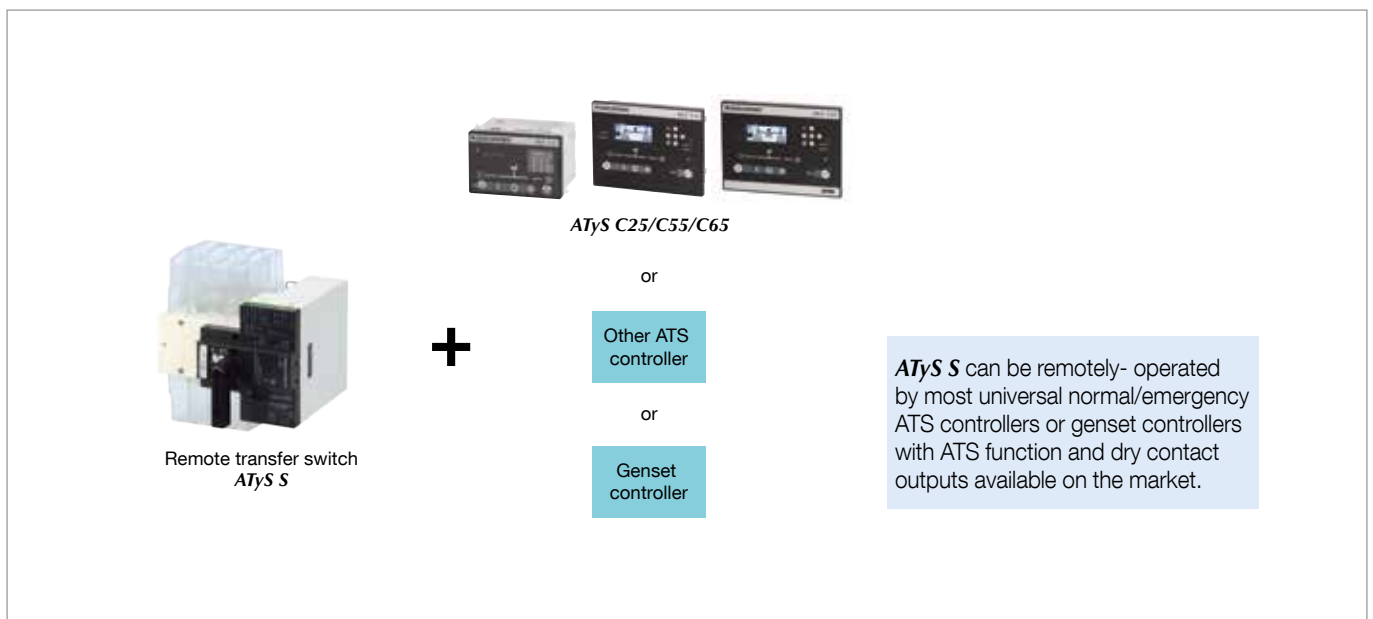
Proven technology

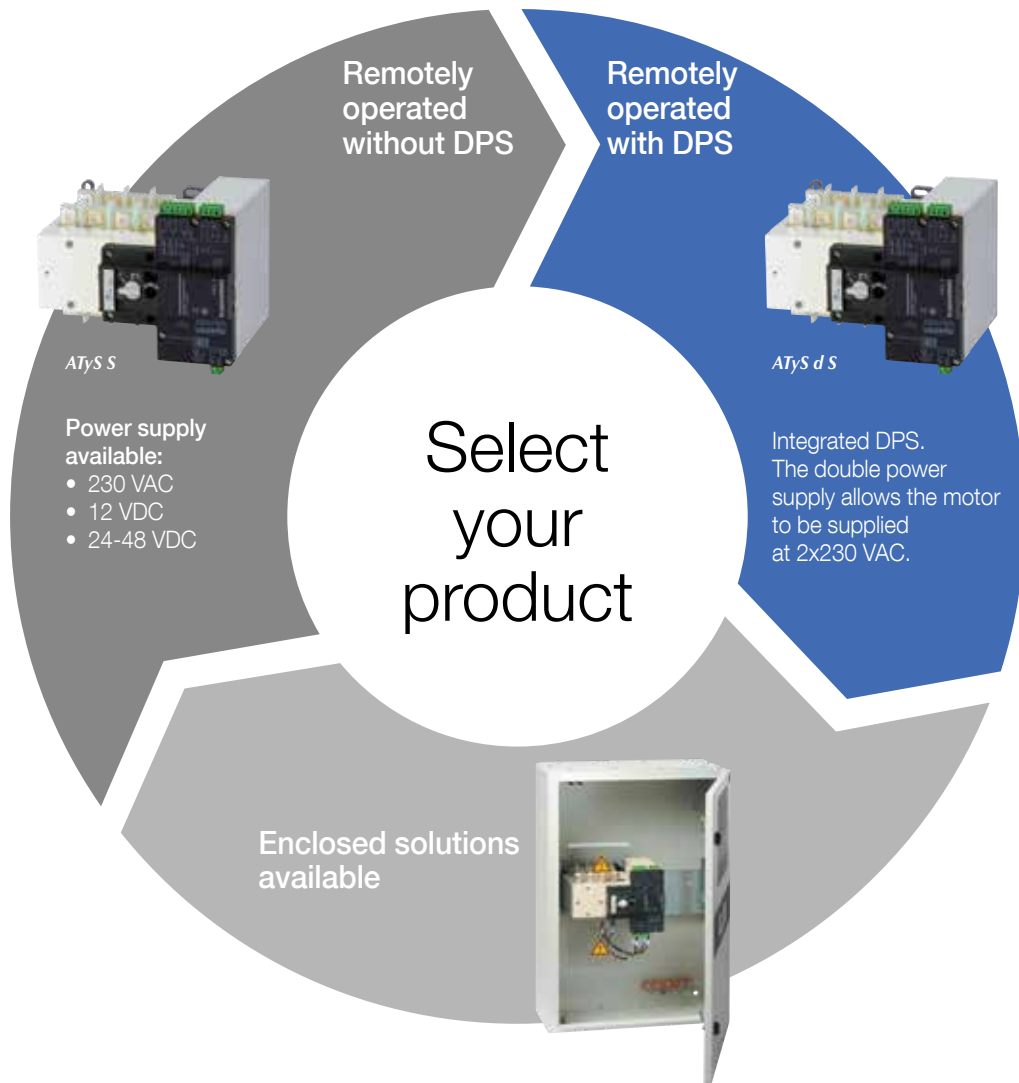
Integrated solution that has been engineered and tested according to IEC 60947-6-1 Class PC standard requirements for transfer switching.

Main features



Automate your transfer switch





A solution for every application

Manual		Remotely operated		Automatic		Enclosed	
							< 160 A
							> 125 A
DC				Static		Bypass	

Socomec: our innovations supporting your energy performance

1 independent manufacturer

3,600 employees
worldwide

10 % of sales revenue
dedicated to R&D

400 experts
dedicated to service provision

Your power management expert



POWER
SWITCHING



POWER
MONITORING



POWER
CONVERSION



ENERGY
STORAGE



EXPERT
SERVICES

The specialist for critical applications

- Control, command of LV facilities
- Safety of persons and assets
- Measurement of electrical parameters
- Energy management
- Energy quality
- Energy availability
- Energy storage
- Prevention and repairs
- Measurement and analysis
- Optimisation
- Consultancy, commissioning and training

A worldwide presence

12 production sites

- France (x3)
- Italy (x2)
- Tunisia
- India
- China (x2)
- USA (x3)

28 subsidiaries and commercial locations

- Algeria • Australia • Belgium • China • Canada
- Dubai (United Arab Emirates) • France • Germany
- India • Indonesia • Italy • Ivory Coast • Netherlands
- Poland • Portugal • Romania • Serbia • Singapore
- Slovenia • South Africa • Spain • Switzerland
- Thailand • Tunisia • Turkey • UK • USA

80 countries

where our brand is distributed

India corporate office

Socomec Innovative Power Solutions Pvt. Ltd.

B1, II Floor
Thiru-Vi-Ka Industrial Estate
Guindy, Chennai - 600 032
Tel: +91 44 3921 5400 / 5466
Mob: +91 9711229993, +91 9940633654
info.in@socomec.com



Manufacturing facility

Socomec India Private Limited.

756 Pace City II
Sector 37
Gurgaon - 122 001
Haryana
Tel: +91 124 4562700, 4597803
Fax: +91 124 4562733
CIN: U00000HR1999PTC038504

Regional & resident offices

Ahmedabad : +91 8939008184, +91 9727753931
Bengaluru : +91 9886323448, +91 9972578171
Chandigarh : +91 9023154784
Chennai : +91 9940147003
Cochin : +91 8939550688, +91 9745012322
Coimbatore : +91 8939550688, +91 9003032012
Hyderabad : +91 9642528800, +91 9959444277
Indore : +71 9827674469
Kolkata : +91 7550078077, +91 8697709095
Mumbai : +91 9987052602, +91 8879791802
New Delhi : +91 9953595413, +91 9958591713
Pune : +91 8793144968, +91 9987052604
Trivandrum : +91 9020179364
Vadodara : +91 9099947988
Vijaywada : +91 9515100473

HEAD OFFICE

SOCOMEQ GROUP

SAS SOCOMEQ capital 10 589 500 €
R.C.S. Strasbourg B 548 600 149
B.P. 60010 - 1, rue de Westhouse
F-67235 Benfeld Cedex
Tel. +33 3 88 57 41 41 - Fax +33 3 88 57 78 78
info.scp.isd@socomec.com

YOUR DISTRIBUTOR / PARTNER

www.socomec.co.in

