

ATyS *d H*

Transfer Switching Equipment
from 4000 to 6300 A



When **energy** matters

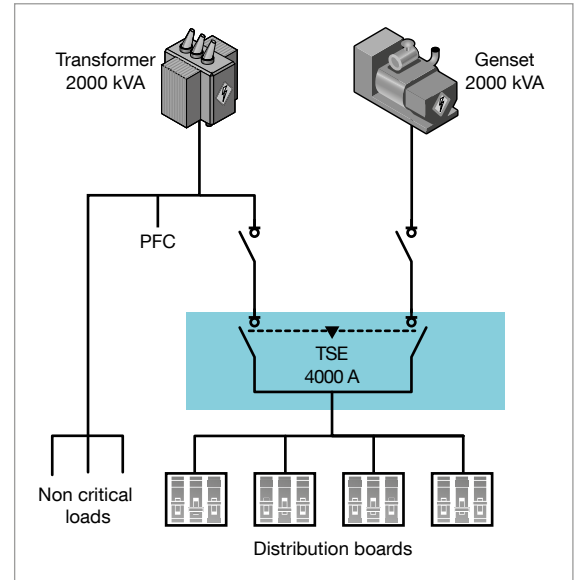
 **socomec**
Innovative Power Solutions

Why do you need Transfer Switching Equipment (TSE)?

Power outages can occur, even in high reliability distribution networks, leading to major incidents and losses on critical applications :

- Emergency systems.
- Healthcare facilities.
- Server rooms.
- Production lines.

To maximize your power availability, the Socomec range will safely transfer from any unstable or lost source to an alternate source. Furthermore, we ensure that you are prepared at all times thanks to our unique safety functions that facilitate maintenance on your low voltage electrical installation.



Managing high ratings to provide maximum availability in your application

Contact us to find out how your application could benefit from ATyS d H.



Data Center upstream secure transfer

Availability is one of the most used words in data centers. By combining a robust solution with high MTBF - quick to replace and easy to repair TSE - you have the assurance of high overall system availability, decreasing your data center downtime while securing your business.

Ready to integrate in the enclosure of your choice

ATyS d H is a complete transfer switch that can be installed in any enclosure of your choice. All ratings maintain the same overall dimensions to make your system simpler than ever - and it is now possible to upgrade without changing the enclosure.



Backup source transfer for industrial applications

For some processes, downtime is simply not an option. Even using a UPS with limited backup time to ensure continuity, most industries cannot afford to compromise on productivity and always include a backup source with a safe and integrated transfer solution.



Why choose Socomec's *ATyS d H*?



Constant power availability keeps your activity safe and efficient. At Socomec, we have been designing, manufacturing and testing switchgear since 1922 and guarantee safe, reliable and long lasting Transfer Switching Equipment (TSE) for your electrical installation. All our solutions are fully compliant with Class PC of IEC 60947-6-1, the international product standard for TSE.

Today, more than 3 million installations and major integrators worldwide are secured with a Socomec transfer switch.



**Ready
to integrate**

Complete functional unit with integrated interlocks ready to be installed in any enclosure of your choice.



**Easy
to order**

Select from 3 or 4 pole, 4000, 5000 or 6300 A versions.



**Quick
installation**

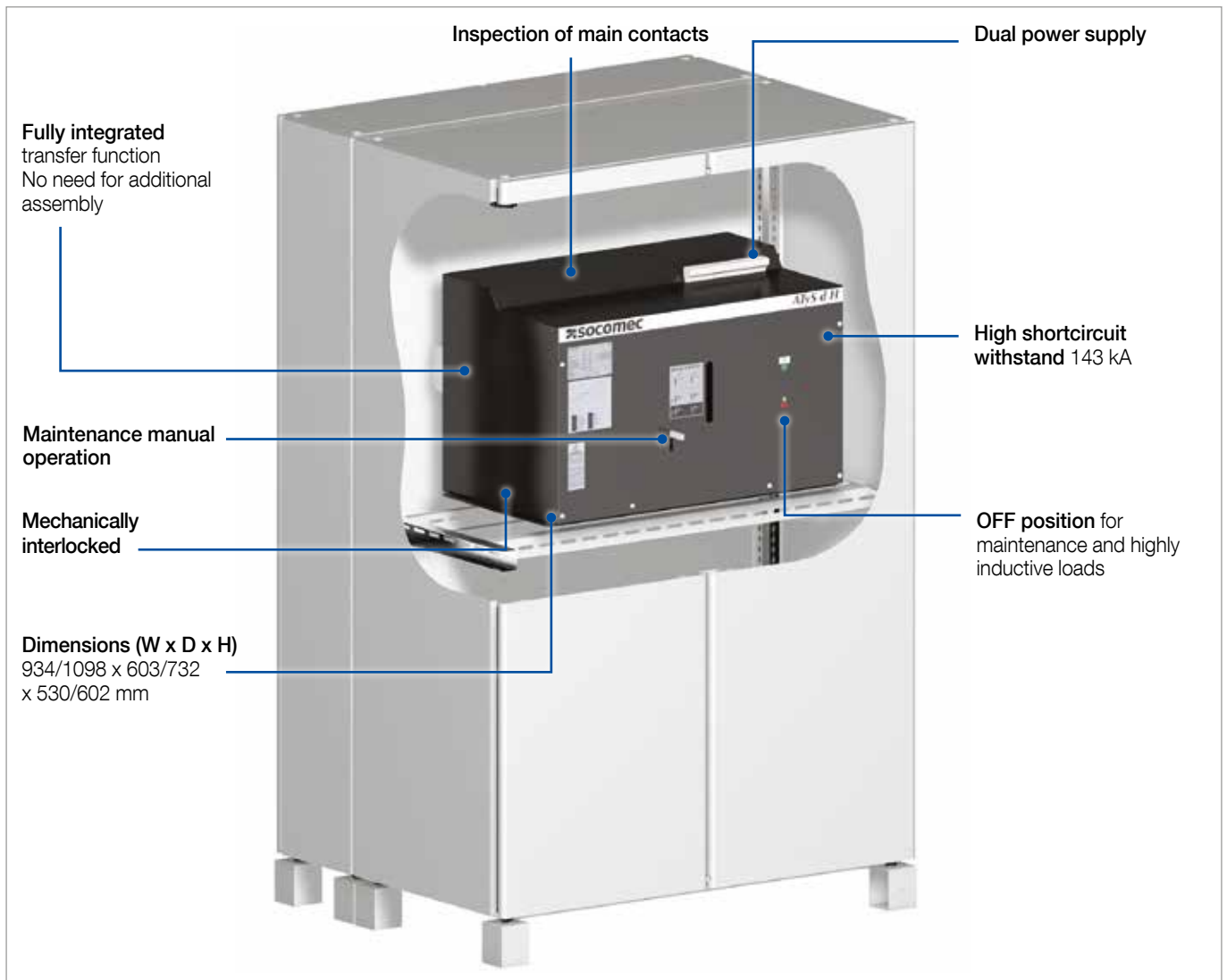
Connect the bars on the rear side of the ATyS d H and cable the control wires to any genset or ATS controller in the market. Forget about hard installations where you need to connect several products to make it work.



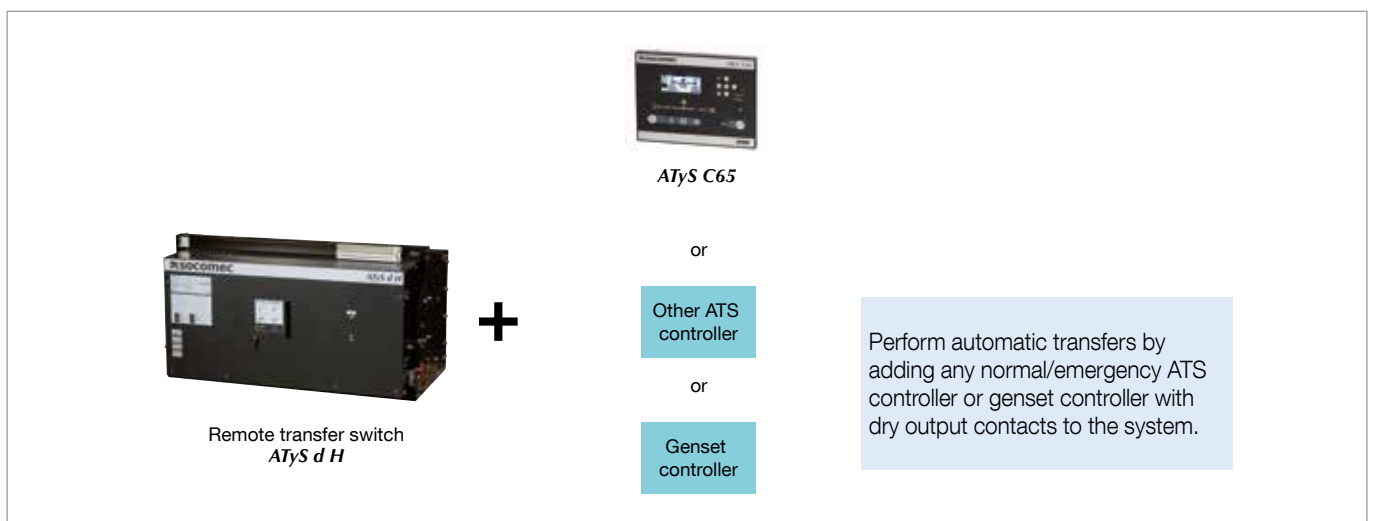
**Proven
technology**

An integrated solution that has been engineered and tested according to IEC 60947-6-1 Class PC standard requirements for transfer switching.

Main features



Automate your transfer switch



Remotely
operated

Utilisation:
Associated with any
external genset or
ATS controller

Unique TSE for high power applications



ATyS d H

- Dual power supply
- Open transition (I-O-II) RTSE
- 3 or 4 poles version
(only 2 sizes: 866 or 1096 width)

A solution for every application

Manual	Remotely operated	Automatic	Enclosed
 SIRCO VM1	 ATyS S & d S ATyS d M	 ATyS t M & g M ATyS p M	 < 160 A
 SIRCOVER SIRCOVER Bypass	 ATyS r ATyS d H	 ATyS g ATyS p	 > 125 A
DC		Static	Bypass
 SIRCOVER PV	 ATyS S DC ATyS r DC	 STATYS	 ATyS Bypass

Socomec: our innovations supporting your energy performance

1 independent manufacturer

3,600 employees
worldwide

10 % of sales revenue
dedicated to R&D

400 experts
dedicated to service provision

Your power management expert



POWER
SWITCHING



POWER
MONITORING



POWER
CONVERSION



ENERGY
STORAGE



EXPERT
SERVICES

The specialist for critical applications

- Control, command of LV facilities
- Safety of persons and assets
- Measurement of electrical parameters
- Energy management
- Energy quality
- Energy availability
- Energy storage
- Prevention and repairs
- Measurement and analysis
- Optimisation
- Consultancy, commissioning and training

A worldwide presence

12 production sites

- France (x3)
- Italy (x2)
- Tunisia
- India
- China (x2)
- USA (x3)

28 subsidiaries and commercial locations

- Algeria • Australia • Belgium • China • Canada
- Dubai (United Arab Emirates) • France • Germany
- India • Indonesia • Italy • Ivory Coast • Netherlands
- Poland • Portugal • Romania • Serbia • Singapore
- Slovenia • South Africa • Spain • Switzerland
- Thailand • Tunisia • Turkey • UK • USA

80 countries

where our brand is distributed

India corporate office

Socomec Innovative Power Solutions Pvt. Ltd.

B1, II Floor
Thiru-Vi-Ka Industrial Estate
Guindy, Chennai - 600 032
Tel: +91 44 3921 5400 / 5466
Mob: +91 9711229993, +91 9940633654
info.in@socomec.com



Manufacturing facility

Socomec India Private Limited.

756 Pace City II
Sector 37
Gurgaon - 122 001
Haryana
Tel: +91 124 4562700, 4597803
Fax: +91 124 4562733
CIN: U00000HR1999PTC038504

Regional & resident offices

Ahmedabad : +91 8939008184, +91 9727753931
Bengaluru : +91 9886323448, +91 9972578171
Chandigarh : +91 9023154784
Chennai : +91 9940147003
Cochin : +91 8939550688, +91 9745012322
Coimbatore : +91 8939550688, +91 9003032012
Hyderabad : +91 9642528800, +91 9959444277
Indore : +71 9827674469
Kolkata : +91 7550078077, +91 8697709095
Mumbai : +91 9987052602, +91 8879791802
New Delhi : +91 9953595413, +91 9958591713
Pune : +91 8793144968, +91 9987052604
Trivandrum : +91 9020179364
Vadodara : +91 9099947988
Vijaywada : +91 9515100473

HEAD OFFICE

SOCOMEK GROUP

SAS SOCOMEK capital 10 589 500 €
R.C.S. Strasbourg B 548 600 149
B.P. 60010 - 1, rue de Westhouse
F-67235 Benfeld Cedex
Tel. +33 3 88 57 41 41 - Fax +33 3 88 57 78 78
info.scp.isd@socomec.com

YOUR DISTRIBUTOR / PARTNER

www.socomec.co.in

