

DIRIS Digiware D and C

Display and system interface



DIRIS Digiware D-50/D-70
Centralisation and display of data



DIRIS Digiware C-31
Centralisation



Configuration
with Easy Config System.

Function

DIRIS Digiware D-50 and D-70

DIRIS Digiware D remote displays allow:

- local visualisation the data from DIRIS Digiware modules
- a power supply to the DIRIS Digiware modules,
- access to measurements over RS485 or Ethernet.

DIRIS Digiware D-50 and D-70 displays also act as a gateway, centralising measurements from DIRIS Digiware, DIRIS A, DIRIS B and COUNTIS E devices and making them available over Ethernet.

With the DIRIS Digiware D-70 display, data can be visualised on WEBVIEW-M, the "Power & Energy monitoring" embedded web server.

DIRIS Digiware displays are 24 VDC powered.

Advantages

DIRIS Digiware D

- High-resolution graphic screen
- Embedded web server (DIRIS Digiware D-70)
- Multi-protocols (Modbus, BACnet, SNMP)
- 24 VDC SELV (Safety Extra Low Voltage) power supply eliminating hazardous voltage on panel doors.
- Ergonomic and easy to use with 10 direct access buttons for:
 - device configuration,
 - circuit selection,
 - display of measurements.

DIRIS Digiware C-31

For applications without a local display DIRIS Digiware C-31 interfaces centralise all measurements and communicate data over RS485 to an external software or PLC. DIRIS Digiware C-31 interfaces and C-32 repeaters are 24 VDC powered.

Cyber security

Dedicated cyber security features referring to IEC 62443 to guarantee the confidentiality, integrity and availability of data and reduce the risk of cyber attacks:

- secured HTTPS navigation,
- secured data push (FTPS, SMTPS),
- restriction of certain protocols or services,
- firewall to prevent denial-of-service attacks.

DIRIS Digiware C-31

Compact: Centralise your measurement data on 1 module without a local screen, for a complete system:

- single 24 V power supply (no dangerous voltage on DIRIS Digiware modules for a connection with no interruption),
- a single RS485 communication.

The solution for

- > Industry
- > Building
- > Infrastructure
- > Data centers



Strong points

- > Centralising and displaying measurement data
- > A single power supply for the entire system
- > A single RS485 or Ethernet output for the entire system
- > WEBVIEW-M embedded web server

Compliance with standards

- > IEC 61557-12
- > IEC 62443



- > ISO 14025






- > UL



Create your project

- > Find the best DIRIS Digiware configuration:
www.meter-selector.com



Application	Control and power supply interface		
			
DIRIS Digiware	C-31	D-50	D-70
Digiware input	•	•	•
RS485 input		•	•
RS485 output	•	•	•
Ethernet output		Modbus BACnet IP SNMP v1, v2, v3	Modbus BACnet IP SNMP v1, v2, v3
Websserver		WEB-CONFIG	WEBVIEW-M

Functions



soft_073_b

WEBVIEW-M

Embedded web server in the DIRIS Digiware D-70 display

WEBVIEW-M allows the display and remote monitoring of all the electric parameters measured by up to 32 devices. They are displayed in the form of overview screens, graphs or tables for clear and user-friendly analysis.

Access to WEBVIEW is made by a web browser on a PC or tablet and offers multiple features such as the automatic export of data via FTPS or e-mail notification in the presence of alarms (SMTPS).

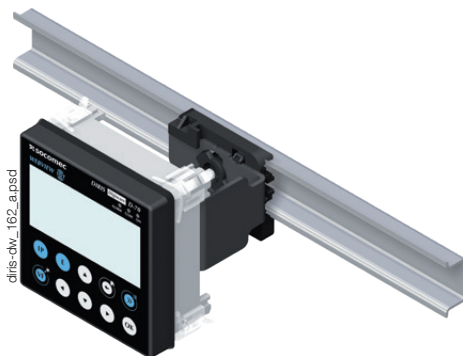
The Photoview application is available via the WEBVIEW interface embedded in the DIRIS Digiware D-70 display. It allows the display of electrical quantities on a customised background picture such as a cabinet, a wiring diagram or the map of a site.

Accessories

DIN rail mounting kit

The accessory allows you to install the DIRIS Digiware D-50/D-70 display on a DIN rail.

This kit is not included with the displays and must be ordered separately.



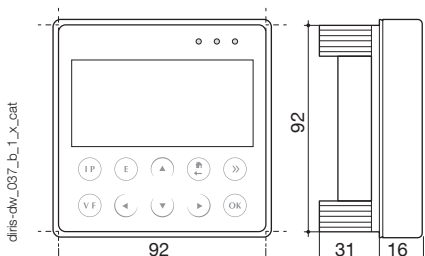
diris-dw_162_ap.ssd

DIRIS Digiware D and C

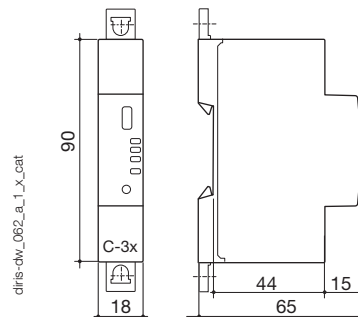
Display and system interface

Dimensions (mm)

DIRIS Digiware D-50/D-70



DIRIS Digiware C-31



Configuration

Equipment consumption

Product	Power delivered (W)	Power consumed (W)
Power supply		
P15 100-240 VAC / 24 VDC	15	
P30 100-240 VAC / 24 VDC	20	
Cables		
50 metre package		1.5
System interfaces		
DIRIS Digiware D-50/D-70		2.5
DIRIS Digiware C-31		0.8
Module voltage		
DIRIS Digiware U-xx		0.72
DIRIS Digiware U-3xdc		0.6
Current modules		
DIRIS Digiware I-3x		0.52
DIRIS Digiware I-4x		1.125
DIRIS Digiware I-6x		0.7
DIRIS Digiware I-3xdc (+ 3 DC current sensors)		2
DIRIS Digiware S-xx		0.35
Input/output modules		
DIRIS Digiware IO-10/IO-20		0.5
Repeater		
DIRIS Digiware C-32		1.5

Calculation rules for the max. number of products on the Digiware Bus

The total power consumed by the equipment connected to the Digiware Bus must not exceed the power from the 24 VDC supply.

The power supply must not exceed 20 W/70°C or 27 W/40°C.

Size with P15 power supply (ref: 4829 0120) delivering 15 W

For example, it is possible to use

- 1 DIRIS Digiware D-50 display (2.5 W)
- 1 DIRIS Digiware voltage module U-xx (0.72 W)
- 50 metres of cable (1.5 W)

and

- 19 DIRIS Digiware current modules I-3x (19 x 0.52 = 9.9 W)
- ⇒ **Total power = 14.845 W**

or

- 9 DIRIS Digiware current modules I-4x (9 x 1.125 = 10.125 W)
- ⇒ **Total power = 14.345 W.**

Size with a 24 VDC power supply delivering a maximum of 20 W (Power supply P30 ref: 4729 0603)

For example, it is possible to use

- 1 DIRIS Digiware D-50 display (2.5 W)
- 1 DIRIS Digiware voltage module U-xx (0.72 W)
- 50 metres of cable (1.5 W)

and

- 29 DIRIS Digiware current modules I-3x (29 x 0.52 = 15.1 W)
- ⇒ **Total power = 19.82 W**

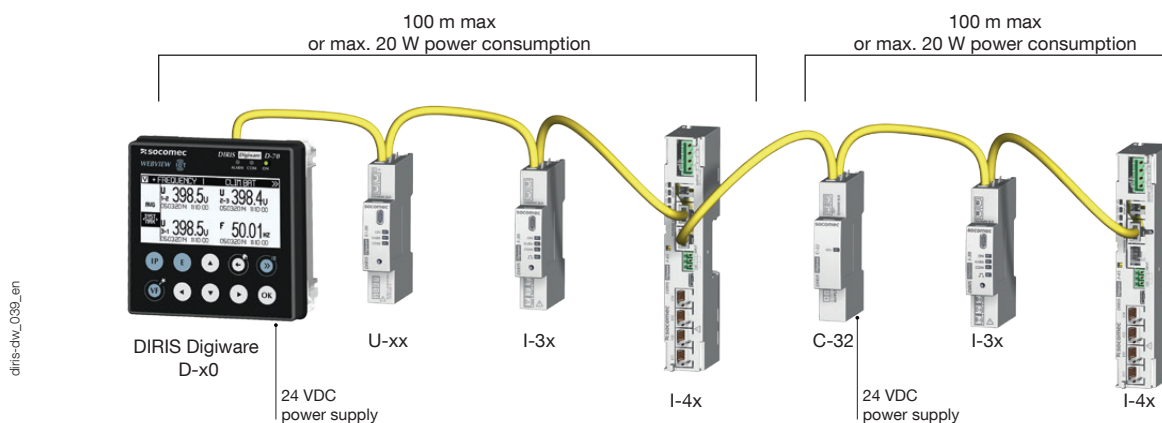
or

- 13 DIRIS Digiware current modules I-4x (13 x 1.125 = 14.625 W)
- ⇒ **Total power = 19.345 W.**

Repeater

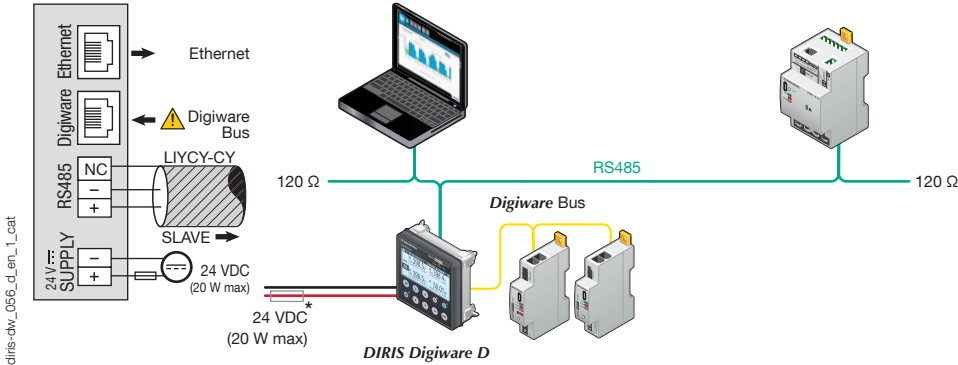
Whenever the power consumption is higher than 20 W or the distance is greater than 100 m, a DIRIS Digiware C-32 repeater is required.

In a DIRIS Digiware system, a maximum of 2 repeaters may be used.



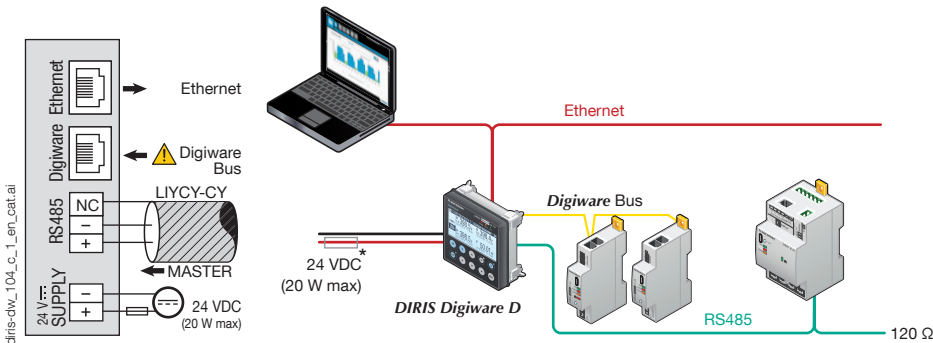
Connections

RS485 slave mode



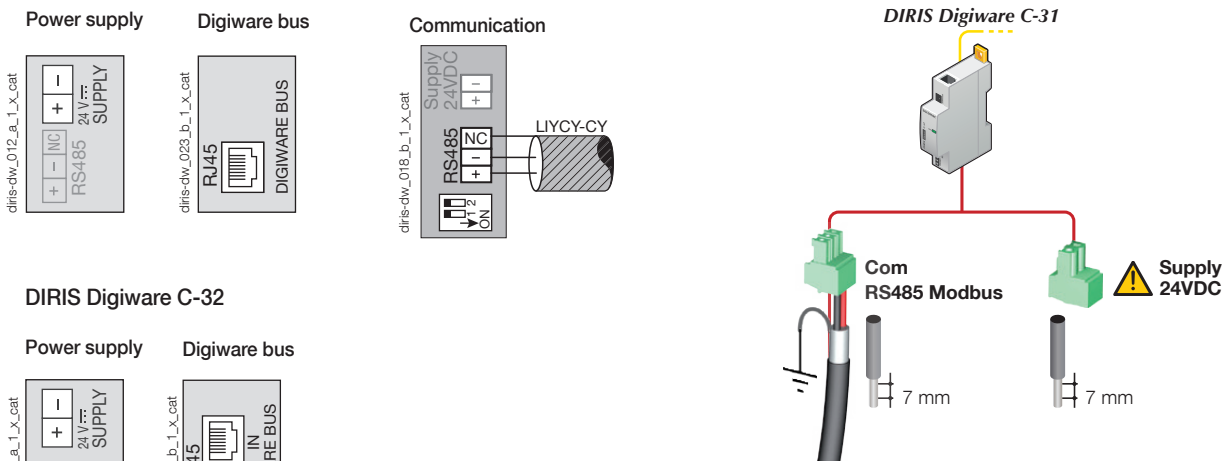
(*) 1A / 24 VDC fuse protection is recommended if the 24 VDC power supply is not provided by Socomec.

RS485 master mode

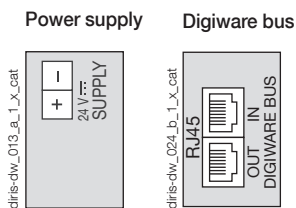


(*) 1A / 24 VDC fuse protection is recommended if the 24 VDC power supply is not provided by Socomec.

DIRIS Digiware C-31



DIRIS Digiware C-32



DIRIS Digiware D and C

Display and system interface

Technical characteristics

Electrical characteristics

DIRIS Digiware C-31	
Input voltage	24 VDC \pm 20 % - 20 W max
Connection	Removable screw terminal block, 2 positions, stranded or solid 0.2-2.5 mm ² cable
P15 power supply	Characteristics: 100-240 VAC/ 24 VDC - 0.63 A - 15 W Modular format - Dimensions (H x L): 90 x 36 mm

Communication specifications

Digiware Bus	
Function	Connection between DIRIS Digiware modules
Cable type	Specific Socomec cable with RJ45 connections
RS485	
Connection type	2 to 3 half duplex wires
Protocol	Modbus RTU
Baudrate	9600 to 115200 bauds
Function	Data configuration and reading
Location	Single-point on DIRIS Digiware C

Mechanical features

Casing type	DIN-rail mounting module and base
Casing protection index	IP20 / IK06
Front panel protection index	IP40 on the nose in modular assembly / IK06

Environmental specifications

Ambient operating temperature	-10 to +70°C
Storage temperature	-25 to +70°C
Operating humidity	55 °C / 97% HR
Operating altitude	< 2000 m

DIRIS Digiware D-50/D-70 features

Mechanical characteristics	
Type of screen	Capacitive touch-screen technology, 10 keys
Screen resolution	350 x 160 pixels
Front panel protection index	IP65

Communication	
Ethernet RJ45 10/100 Mbps	Gateway function (D-50/D-70): Modbus TCP BACnet IP SNMP v1, v2, v3
RJ45 Digiware	Control and power supply interface function
RS485 2-3 wires	Modbus RTU communication function Configurable as input or output
USB	Upgrade and configuration via type B micro USB connector

Electrical characteristics	
Power supply	24 VDC \pm 15 %
Power consumption	2.5 VA
Battery lifetime	10 years

Environmental specifications	
Storage temperature	-20 to +70°C
Operating temperature	-10 to +55°C
Humidity	95% at 40°C
Installation category, degree of pollution	CAT III, 2

Ports	
Digiware	Input
RS485	Input/Output
Ethernet	Output

References

DIRIS Digiware		Reference
D-50	Multipoint display, Ethernet & RS485 output + WEB-CONFIG	4829 0204
D-70	Multipoint display, Ethernet & RS485 output + WEBVIEW-M	4829 0203
C-31	System interface - no display, RS485 output	4829 0101
C-32	Repeater	4829 0103
Power supply		Reference
P15	Power supply 100-240 VAC/ 24 VDC 15 W	4829 0120
P30	Power supply 100-240 VAC/ 24 VDC 20 W	4729 0603
Digiware connection cables		Reference
RJ45 cables for Digiware Bus	Length 0.06 m	4829 0189
	Length 0.10 m	4829 0181
	Length 0.20 m	4829 0188
	Length 0.50 m	4829 0182
	Length 1 m	4829 0183
	Length 2 m	4829 0184
	Length 3 m	4829 0190
	Length 5 m	4829 0186
	Length 10 m	4829 0187
50 m reel + 100 connectors		4829 0185
Termination for Digiware Bus (supplied with interfaces C and D)		4829 0180
USB configuration cable		4829 0050
Single-point display		Reference
DIRIS D-30 ⁽¹⁾	Single-point display for DIRIS Digiware I-4x and DIRIS B	4829 0200
Accessories		To be ordered in multiples of
Fuse holder to protect voltage inputs (type RM) 1 pole + neutral		4
gG 10x38 0.5 A fuses		10
DIN rail mounting kit for D-50 and D-70 displays		1
Door mounting kit DIN 144 x 96 mm		
IP 65 flexible cover for 144 x 96 mm door mounting frame		
		5701 0017
		6012 0000
		4829 0230
		4729 0290
		4729 0291

(1) DIRIS D-30 display characteristics, see page "DIRIS B".

Expert Services

Require integration onto your network?

No problem for our "Expert Services" team. They will fully integrate all your SOCOMEC devices, **audit** your system, **commission** selected equipment and **train** your staff on its use.

For further information, please contact your nearest SOCOMEC branch.