

TECHNICAL CHARACTERISTICS		DIRIS DIGIWARE D-50	DIRIS DIGIWARE D-70
MECHANICAL CHARACTERISTICS			
10 buttons	Capacitive touch technology		
Screen resolution	350 x 160 pixels		
Device type	Multi-point display and communication gateway		
COMMUNICATION CHARACTERISTICS			
Ethernet RJ45 10/100 Mbs	Ethernet Gateway : Modbus TCP, Bacnet IP, SNMP v1, v2, v3 & Traps		
Embedded software	WEB-CONFIG	WEBVIEW-M	
Number of slaves	Max 32 devices displayed		
RJ45 Digiware bus	Input		
RS485 2-3 wires	Configurable as input (Master) or output (Slave)		
Speed	9600 bds (10 devices max) / 38400 bds - 115200 bds (32 devices max)		
Micro USB	Configuration via Easy Config System software		
DIMENSIONS			
External dimensions	3.78x3.78 in / 96x96 mm		
Door cut-out	3.62x3.62 in / 92x92 mm		
Depth	1.77 in / 45 mm		
ELECTRICAL CHARACTERISTICS			
Supply	24 VDC +/- 15%, Class 2 - 20 W max		
Supply protection	Integrated into SOCOMEC supply (ref. 48290120) or use 24 VDC 1 A fuse		
Consumption	2.5 VA		
ENVIRONMENTAL CONDITIONS			
Use	Indoor		
Storage temperature	-40 ... +70 °C		
Operating temperature	-10 ... +55 °C		
Humidity	95 % at 40 °C		
Maximum operating altitude	2000 m		
Pollution degree	2		

7 Display LEDs



ALARM* (red)

- Off: no active alarm
- Stable: at least one alarm (measurement, logical, protection) is active on the display or a connected device
- Flashing: at least one system alarm is active on the display or a connected device

*Go to the **EVENTS** menu for details on active alarms

COM (orange)

- Off: display is not communicating with downstream devices
- Stable: address conflicts during auto-discovery process
- Flashing: communication in progress with a downstream device (RS485 or Digiware)

ON (green)

- Off: display is not powered
- Stable: device is powered

8 Webserver access

Type in the display's IP address in your web browser. Default IP address is **192.168.0.4**

PROFILE	DEFAULT PASSWORD
User	(No password)
Advanced user	Advanced
Admin	Admin
Cyber Security	Cyber



For cyber security reasons, it is highly recommended that you change default passwords for Advanced user, Admin and Cyber Security profiles.

The display's ALARM LED will be flashing to indicate an active "Expired password" alarm until all passwords are changed or until the alarm is disabled from Easy Config System software.



DIRIS Digiware D-50 & D-70

MULTI-POINT DISPLAY - RS485 & ETHERNET



This symbol indicates that the full instruction manual, declaration of conformity EU-type examination certificate are available on the Socomec website:
www.socomec.com/operating-instructions

www.socomec.com

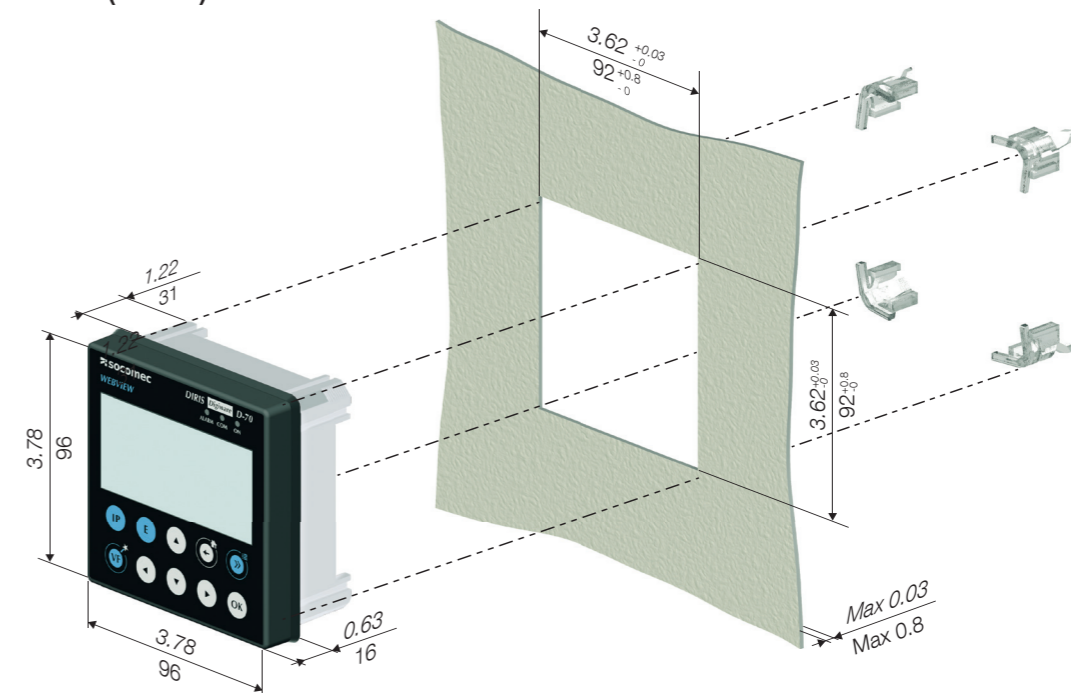


Multi-point display
DIRIS Digiware D-50
Ref. 48290204



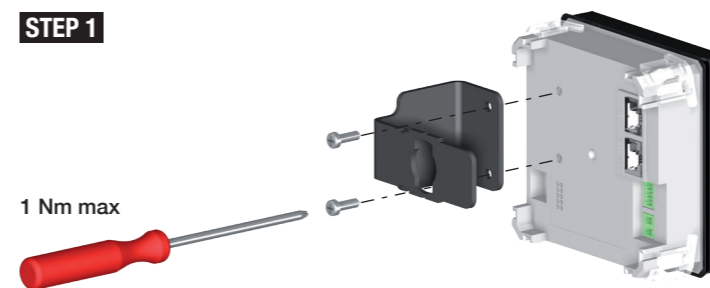
Multi-point display
with WEBVIEW-M
DIRIS Digiware D-70
Ref. 48290203

1 Dimensions (in/mm)



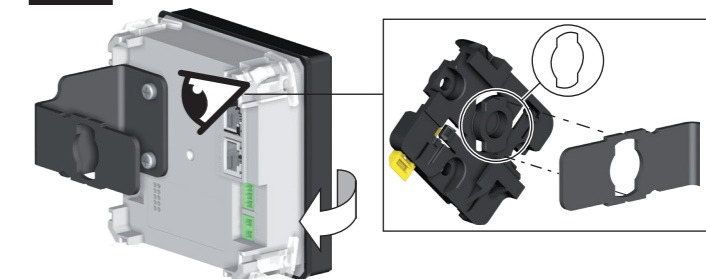
2 DIN rail mounting kit (separate part number: 48290230)

STEP 1



1 Nm max

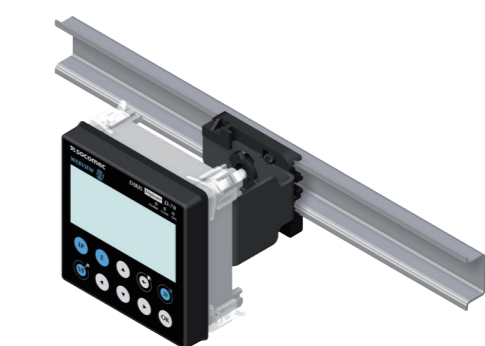
STEP 2



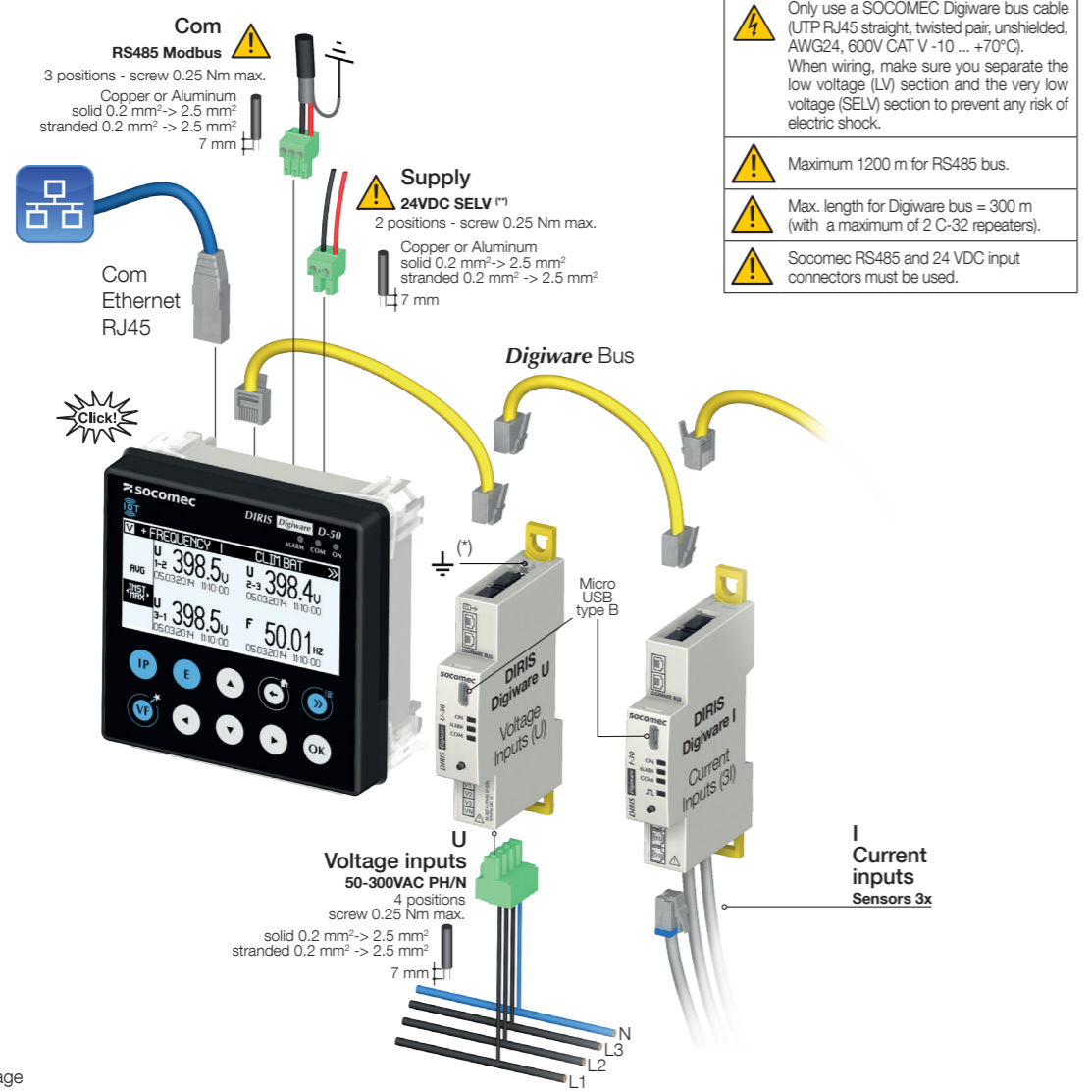
STEP 3



STEP 4



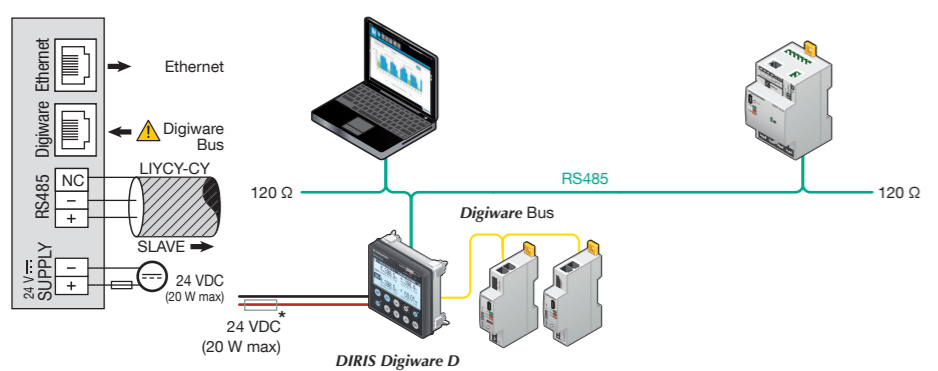
3 System wiring



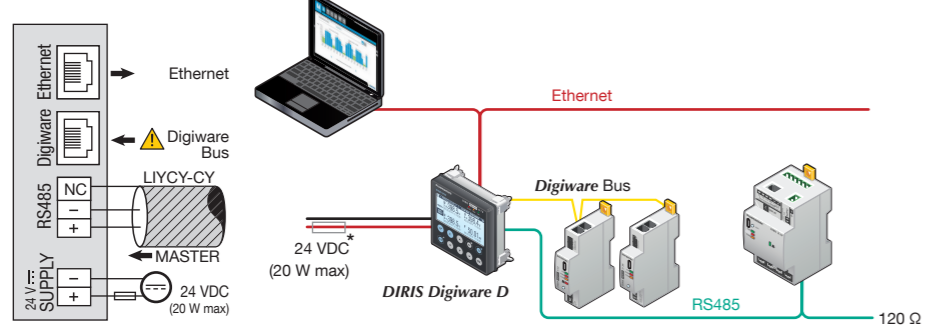
(*) Functional Earth
(**) SELV = Safety Extra Low Voltage

4 Communication diagrams

RS485 slave mode



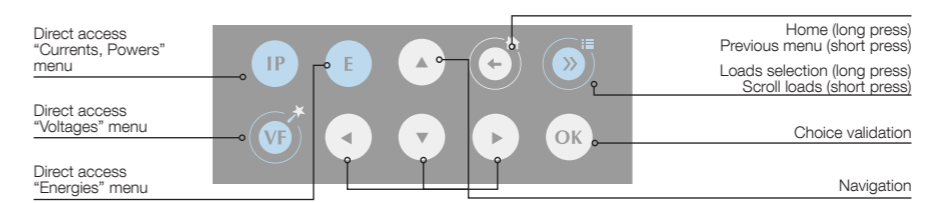
RS485 master mode



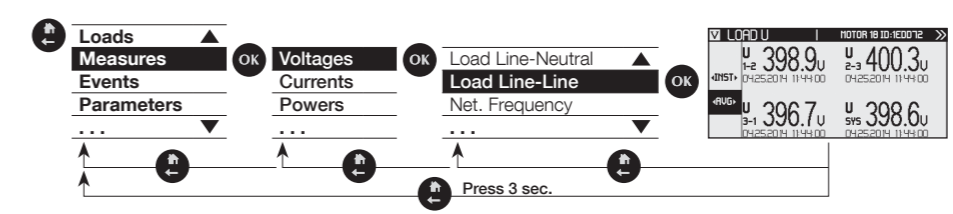
(*) If the 24 VDC power supply is not provided by Socomec, a 1 A / 24 VDC fuse must be used. For North America, the use of recognized fuses is mandatory. All inputs/outputs are considered as SELV (Safety Extra-Low Voltage).

5 Operating

Human Machine Interface



Navigation principle



Menu structure

LOADS		
MEASURES	VOLTAGES	Load Line-Neutral
		Load Line-Line
		Net. Frequency
	CURRENTS	Net. Line-Neutral
		Net. Line-Neutral Unbalance
		Net. Line-Neutral Harmonics
		Net. Line-Neutral Crest Factor
		Net. Line-Line
		Net. Line-Line Unbalance
		Net. Line-Line Harmonics
		Net. Line-Line Crest Factor
		Currents
		Current System
		Currents Unbalance
		Currents THD
Currents K Factor		
Currents Harmonics		
Currents Crest Factor		
POWERS	Active Powers	
	Reactive Powers	
	Apparent Powers	
	Predictive Powers	
	Power Factors	
ENERGIES	Cos Phi	
	Tan Phi	
	Positive Active Energies	
	Negative Active Energies	
	Positive Reactive Energies	
	Negative Reactive Energies	
	Positive/Negative Reactive Lead/Lag Energies	
	Apparent Energies	
	PULSE METERS	
	RESET ALL MIN/MAX VALUES	
INPUT/OUTPUT	DIGITAL INPUT	
	DIGITAL OUTPUT	
	ANALOGUE INPUT	
PROTECTION		
EVENTS	IN PROGRESS	
	HISTORY	
PARAMETERS	DISPLAY	Alarms
		Quality
		Language
		Date format
		RS485 communication: Mode (master/slave), Baudrate, Stop, Parity, Address
	CONFIGURE A DEVICE	Ethernet communication: DHCP, IP Address, Mask, Gateway
		Set remote Device Date/Time: Date format, Date separator
		Change Password
		Status
		Found/Conflict
	AUTODETECT SERIAL DEVICES	Digiware addressing range: Start address, End address, Addr. Set Method (Autoset or Push button)
		Method: Fast or Full
		LIST PRODUCTS
		ADD NEW DEVICE
		Type: RS485 / Digiware, IP Address
REMOVE DEVICE		
RESTORE A PRODUCT FACTORY SETTINGS		
PRODUCTS SOFT VERSION		
DIAGNOSIS	ETHERNET	IP address
		Host name
	SERIAL COM	RS485 comm status
		Digiware comm status
		Devices comm OK
	NETWORK TIME	Devices comm NOK
		Restart serial comm analysis
	EMAIL	SNTP
		Current Date/Time
		Last activity
FTP CLIENT	SMTP	
	Last activity	
DATALOGGER	FTP	
	Last activity	
	Consumptions	
ABOUT	Trends	
	Alarms	
	IP ADDRESS	
	MAC ADDRESS	
	SERIAL NUMBER	
SOFTWARE VERSION		
REBOOT		