



Enclosed switches

Load break switches

20 to 1600 A

Integrated products & solutions



como-enc_030-front.eps

COMO enclosure 20 to 125 A
Polycarbonate - IP65



coff_584_front.psd

SIRCO enclosure 160 to 630 A
Polyester - IP65



coff_581_front.psd

SIRCO M enclosure 32 to 100 A
Stainless steel - IP65



coff_587_front.psd

SIRCO M enclosure 20 to 100 A
Painted steel - IP65



coff_566_front.psd

SIRCO enclosure 160 to 1600 A
Painted steel - IP65

The solution for

- > OEM
- > Industries
- > Commercial buildings
- > Electrical distribution



Strong points

- > Safe operation
- > Suitable for all kinds of environment
- > Easy setup
- > Extensive range

Compliance with standards

- > IEC 60947-3
- > IEC 60364
- > EN 60947-3
- > EN 61439
- > EN 60204-1



Other products

- > Customised solutions available on request.

Function

Enclosed load break switches ensure the on-load breaking and making of circuits and safely isolate all low-voltage electrical circuits by providing protection against contact with live parts and environmental elements, such as dust, water and other hazards.

They enable the shutdown and isolation of the power supply as close to the equipment as possible.

Advantages

Safe operation

- Secures transfer for mechanical or electrical work.
- On-load breaking.
- Ergonomic control lever, available in red/yellow or black.
- Triple lock in OFF position.

Suitable for all kinds of environment

- Insulating enclosure for chemical and food processing applications, indoor or outdoor installation.
- Painted steel enclosure for areas at risk of mechanical impact.
- Stainless enclosure for food processing and pharmaceutical applications.

Easy setup

- Cable access top and/or bottom.
- Pre-drilled cable glands (up to 125 A).
- Removable steel cable glands, top and bottom (> 125 A), aluminium coated (> 630 A).
- Plenty of room for cabling.

Extensive range

- Standard range
- Customised on request.



coff_605.eps

Load break switch in isolating enclosure

■ **COMO** in polycarbonate enclosure



como-enc_002 - 032 - 026 - 036

General characteristics

- From 20 to 125 A.
- 3, 4, 6, 8 poles.
- Yellow/red or grey/blue version.
- Triple lock in OFF position.
- Polycarbonate enclosure.
- Screw-on front.
- Degree of protection: IP65.
- Pre-drilled cable-in holes at top bottom and sides.
- Switch centring system for easy closing.
- Door interlocking when switch is ON.

Accessories

- Unswitched neutral pole optional extra (max. 1).
- NO+NC or 2 NO auxiliary contact for pre-break and signalling of positions 0 and I. Up to 2 auxiliary contacts on each product, on the left or right side of the device.

References

Rating (A)	N° of poles	Grey/blue lever Reference	Red/yellow lever Reference	Extra pole ⁽¹⁾ (connected)	Auxiliary contacts ⁽¹⁾	Enclosure		
						Size	H x W x D (mm)	Cable-in top and bottom (mm)
20	3 P	2115 3301	2115 3401	-	-	CPC 0	92 x 64 x 83	2 x Ø 25
	4 P	2115 4301	2115 4401					
25	3 P	2115 3302	2115 3402	2115 5005		CPC 1	163 x 100 x 115	2 x Ø 25
	4 P	2115 4302	2115 4402					
32	3 P	2115 3303	2115 3403	2115 5005		CPC 2	200 x 146 x 150	2 x Ø 32 + 2 x Ø 40
	4 P	2115 4303	2115 4403					
	6 P	2115 6303	2115 6403					
40	3 P	2115 3304	2115 3404	2115 5007	1 AC NO+NC 2113 4001	CPC 1	163 x 100 x 115	2 x Ø 25
	4 P	2115 4304	2115 4404					
63	3 P	2115 3306	2115 3406	2115 5007	1 AC 2 NO 2113 4002	CPC 2	200 x 146 x 150	2 x Ø 32 + 2 x Ø 40
	4 P	2115 4306	2115 4406					
	8 P	2115 8306	2115 8406					
80	3 P	2115 3308	2115 3408	2115 5009		CPC 3	304 x 214 x 182	2 x Ø 50 + 2 x Ø 63
	4 P	2115 4308	2115 4408					
100	3 P	2115 3309	2115 3409	2115 5011		CPC 2	200 x 146 x 150	2 x Ø 32 + 2 x Ø 40
	4 P	2115 4309	2115 4409					
125	3 P	2115 3312	2115 3412	2115 5011		CPC 3	304 x 214 x 182	2 x Ø 50 + 2 x Ø 63
	4 P	2115 4312	2115 4412					

(1) Max. setup: 1 extra pole + 1 aux contact, or 2 aux contacts

Possible configurations

Additional contact	Product	Additional contact
Aux. contact	3/4/6/8P	Aux. contact
Solid neutral	3/4/6/8P	Aux. contact
Aux. contact	3/4/6/8P	Solid neutral

Enclosed switches

Load break switches

20 to 1600 A

Load break switch in isolating enclosure

■ **SIRCO** in polyester enclosure



General characteristics

- From 160 to 630 A.
- 3 poles + unswitched neutral, 4 poles.
- Black lever (yellow/red on request).
- Triple lock in OFF position.
- Polyester enclosure.
- Screw-on front.
- Colour: RAL 7035.
- Degree of protection: IP65.
- Wall-mounted, 4 brackets included.

Accessories

- NO/NC auxiliary contact.
- Terminal screen.

References

Rating (A)	N° of poles	Handle Black Reference	Auxiliary contacts	Protective screen	Enclosure				
					Size	H x W x D (mm)			
160	3 P + N	3116 5016	1 st AC NO/NC 2699 0031	2698 3012	CP 32	360 x 270 x 171			
	4 P	3116 4016		2698 4012					
250	3 P + N	3116 5025		2 nd AC 2 NO/NC 2699 0032	2698 3020	CP 53	540 x 360 x 171		
	4 P	3116 4025			2698 4020				
400	3 P + N	3116 5040	2698 3050		2698 3050	CP 75	720 x 540 x 201		
	4 P	3116 4040			2698 4050				
630	3 P + N	3116 5063		2698 3050	2698 4050				
	4 P	3116 4063		2698 4050					

Load break switch in metallic enclosure

■ **SIRCO M** in painted steel enclosure



General characteristics

- From 20 to 100 A.
- 3 poles + solid neutral, unswitched 4th pole optional extra (max. 1).
- Yellow/red or black lever.
- Triple lock in OFF position.
- Painted steel enclosure.
- Door latch system or screw-on.
- Colour: RAL 7035.

- Pre-drilled cable-in holes at top and bottom.
- Degree of protection: IP65.

Accessories

- 4th pole switched (max. 1), unswitched (max. 1).
- NO+NC or 2 NO auxiliary contact (max. 2).
- Terminal shroud.
- Wall brackets

References

Rating (A)	N° of poles	Handle Black Reference	Handle Red/Yellow Reference	Extra pole (unswitched pole)	Auxiliary contacts	Terminal shroud	Bracket kit	Enclosure							
								Size	H x W x D (mm)	Cable-in top and bottom (mm)					
20	3 P + N	3032 5002	3032 5102	2200 1001	1 AC NO + NC 2299 0001	2294 3005 (3 P) 2294 1005 (1 P)	3031 0011	CT 21	200 x 150 x 120	2 x Ø 25 + 2 x Ø 32 + Ø 16					
	3 P + N	3032 5202 ⁽¹⁾	3032 5302 ⁽¹⁾					CT 21a							
32	3 P + N	3032 5003	3032 5103	2200 1003		1 AC 2 NO 2299 0011		2294 3009 (3 P) 2294 1009 (1 P)			3031 0011	CT 21	300 x 200 x 120	Ø 32 + 2 x Ø 50 + Ø 16	
	3 P + N	3032 5203 ⁽¹⁾	3032 5303 ⁽¹⁾									CT 21a			
63	3 P + N	3032 5006	3032 5106	2200 1006	2294 3016 (3 P) 2294 1011 (1 P)		3031 0011	3031 0011	CT 21	300 x 200 x 120		Ø 32 + 2 x Ø 50 + Ø 16			
	3 P + N	3032 5206 ⁽¹⁾	3032 5306 ⁽¹⁾						CT 21a						
100	3 P + N	3032 5010	3032 5110	2200 1010		2294 3016 (3 P) 2294 1011 (1 P)			3031 0011		3031 0011		CT 32	300 x 200 x 120	Ø 32 + 2 x Ø 50 + Ø 16
	3 P + N	3032 5210 ⁽¹⁾	3032 5310 ⁽¹⁾										CT 32a		

(1) Front panel: screw-on

Load break switch in metallic enclosure (continued)

■ **SIRCO** in painted steel enclosure



conf_566_front.psd

General characteristics

- From 160 to 1600 A.
- 3 poles + solid neutral , 4 poles.
- Black lever (yellow/red on request).
- Triple lock in OFF position.
- Painted steel enclosure.
- Door latch system.
- Colour: RAL 7035.
- Cable gland plates: top and bottom.
- Degree of protection: IP65.
- Wall-mounted, 4 brackets included.

Accessories

- NO/NC auxiliary contact.
- Terminal screen.

References

Rating (A)	N° of poles	Handle Black Reference	Auxiliary contacts	Protective screen (top or bottom)	Enclosure		
					Size	H x W x D (mm)	Cable-in top and bottom (mm)
160	3 P + N	3032 5016	1 st AC NO/NC 2699 0031 2 nd AC 2 NO/NC 2699 0032	2698 3012	CT 43	400 x 300 x 210	180 x 100
	4 P	3032 4016		2698 4012			
250	3 P + N	3032 5025		2698 3020			
	4 P	3032 4025		2698 4020			
400	3 P + N	3032 5040		2698 3050			
	4 P	3032 4040		2698 4050			
630	3 P + N	3032 5063		2698 3050			
	4 P	3032 4063		2698 4050			
800	3 P + N	3032 5080		2698 3080			
	4 P	3032 4080		2698 4080			
1250	3 P + N	3032 5084		2698 3120			
	4 P	3032 4084		2698 4120			
1600	3 P + N	3032 5088	2698 3120				
	4 P	3032 4088	2698 4120				
					CT 66	600 x 600 x 300	380 x 100
					CT 86	800 x 600 x 350	560 x 100
					CT 128	1200 x 800 x 300	660 x 100

Enclosed switches

Load break switches

20 to 1600 A

Load break switch in metallic enclosure (continued)

■ **SIRCO M** in stainless steel enclosure



General characteristics

- 32 to 100A.
- 3 poles + solid neutral, 4th switched pole optional extra (max. 1).
- Yellow/red or black lever.
- Triple lock in OFF position.
- Brushed stainless steel enclosure 304 (please ask for other options).
- Degree of protection: IP65.
- Pre-drilled cable-in holes at bottom.
- Door latch system.

Accessories

- 4th switched pole (max. 1), connected (max. 1).
- NO+NC or 2 NO auxiliary contact (max. 2).
- Wall brackets.

References

Rating (A)	N° of poles	Handle Black Reference	Handle Red/Yellow Reference	Extra pole (switched pole)	Auxiliary contacts	Terminal shroud	Set of stainless steel brackets	Enclosure		
								Size	H x W x D (mm)	Cable-in bottom (mm)
32	3 P + N	3032 8003	3032 8103	2200 1003	1 AC NO + NC 2299 0001 1 AC 2 NO 2299 0011	2294 3005 (3 P) 2294 1005 (1 P)	3031 0012	Cl 21	200 x 150 x 120	2 x Ø 25 + 2x Ø 32 + Ø 16
63	3 P + N	3032 8006	3032 8106	2200 1006		2294 3009 (3 P) 2294 1009 (1 P)				
100	3 P + N	3032 8010	3032 8110	2200 1010		2294 3016 (3 P) 2294 1011 (1 P)				
								Cl 32	300 x 200 x 120	Ø 32 + 2 x Ø 50 + Ø 16

Characteristics

Electrical features according to IEC 60947-3

	COMO								
Thermal current I_{th} (40°C)	20 A	25 A	32 A	40 A	63 A	80 A	100 A	125 A	
Enclosed thermal current I_{th} (35°C) (A)	20	25	32	40	63	80	100	125	
Enclosed thermal current I_{th} (50°C) (A)	17	22	28	35	54	69	86	108	
Rated insulation voltage U_i (V)	690	690	690	690	690	690	690	690	
Rated impulse withstand voltage U_{imp} (kV)	4	6	6	6	6	6	6	6	
Rated operational currents I_e (A)									
Rated voltage	Utilisation category								
400 VAC	AC-22 A / AC-22 B	20	25	32	40	63	80	100	125
400 VAC	AC-23 A / AC-23 B	15	20	22	40	44	53	70	84
690 VAC	AC-22 A / AC-22 B		12	13	18	22	23.5	34	41
690 VAC	AC-23 A / AC-23 B		9.5	11.5	13	17.5	22	25.5	35
Operational power in AC-23 (kW) without pre-break auxiliary contact									
400 VAC without pre-break AC (kW) ⁽⁵⁾	7.5	9.5	11.5	20	22	30	37	45	
690 VAC without pre-break AC (kW) ⁽⁵⁾		12	13	18	22	25.5	34	41	
gG DIN(6) fuse protected short-circuit withstand									
Prospective short-circuit current (kA rms)	1	8	8	8	8	10	20	20	
Associated fuse rating (A)	20	25	32	40	63	80	100	125	
Circuit breaker protected short-circuit withstand with any circuit breaker that ensures tripping in less than 0.3s									
Current rated as short-time withstand I_{cw} 0.3s (kA rms)	0.68	0.68	1.28	1.28	2.52	2.52	4	4	
Short-circuit operation (switch only)									
Current rated as short-time withstand I_{cs} 1s (kA rms)	0.34	0.34	0.64	0.64	1.26	1.26	2	2	
Connection									
Minimum Cu cable cross-section (mm ²)	1.5	2.5	2.5	2.5	2.5	2.5	4	4	
Maximum Cu cable cross-section (mm ²)	4	10	10	10	16	25	35	50	

	SIRCO M / SIRCO											
Thermal current I_{th} (40°C)	20 A	32 A	63 A	100 A	160 A	250 A	400 A	630 A	800 A	1250 A	1600 A	
Frame size	M1	M1	M2	M3	B3	B4	B5	B5	B6	B7	B7	
Enclosed thermal current I_{th} (35°C) (A)	20	32	63	100	160	250	400	630	770	1000	1450	
Enclosed thermal current I_{th} (50°C) (A)	17	28	54	86	138	216	345	544	665	863	1252	
Rated insulation voltage U_i (V)	800	800	800	800	800	800	1000	1000	1000	1000	1000	
Rated impulse withstand voltage U_{imp} (kV)	8	8	8	8	8	8	12	12	12	12	12	
Rated operational currents I_e (A)												
Rated voltage	Utilisation category											
415 VAC	AC-22 A / AC-22 B	20	32	63	100	160	250	400	630	800	1250	1600
415 VAC	AC-23 A / AC-23 B	20	32	63	100	160	250	400	500	800	1250	1250
500 VAC	AC-22 A / AC-22 B	20	32	63	100							
500 VAC	AC-23 A / AC-23 B	20	25	63	80							
690 VAC	AC-22 A / AC-22 B	20	32	40/63	80/100							
690 VAC	AC-23 A / AC-23 B	20	25	40	63							
Operational power in AC-23 (kW)												
400 VAC without pre-break AC (kW) ⁽⁵⁾	9	15	30	45	80	132	220	280	450	710	710	
500 VAC without pre-break AC (kW) ⁽⁵⁾	9	15	30	45								
690 VAC without pre-break AC (kW) ⁽⁵⁾	11	15	30	45								
gG DIN(6) fuse protected short-circuit withstand												
Prospective short-circuit current (kA rms)	50	50	50	25	100	50	100	70	50	100	100	
Associated fuse rating (A)	20	32	63	100	160	250	400	630	800	1250	2x800	
Circuit breaker protected short-circuit withstand with any circuit breaker that ensures tripping in less than 0.3s												
Current rated as short-time withstand I_{cw} 0.3s (kA rms)	2.5	2.5	3	5	15	17	25	25	50	100	100	
Short-circuit operation (switch only)												
Current rated as short-time withstand I_{cs} 1s (kA rms)	1.26	1.26	1.5	2.75	7	9	13	13	35	50	50	
Dynamic withstand current in I_{cc} (kA peak) (6)	6	6	9	12	20	30	45	45	55	110	110	
Connection												
Minimum Cu cable cross-section (mm ²)	1.5	1.5	2.5	10	50	95	185	2x150	2x185			
Maximum Cu cable cross-section (mm ²)	16	16	35	70	95	150	240	2x300	2x300	4x185	6x185	

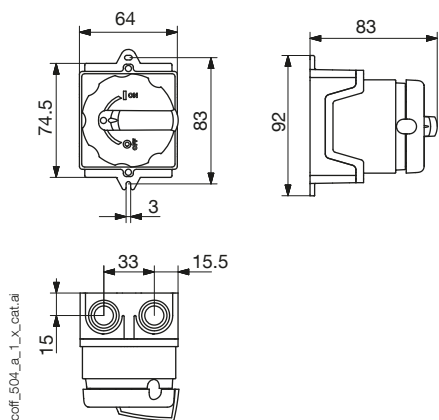
Enclosed switches

Load break switches

20 to 1600 A

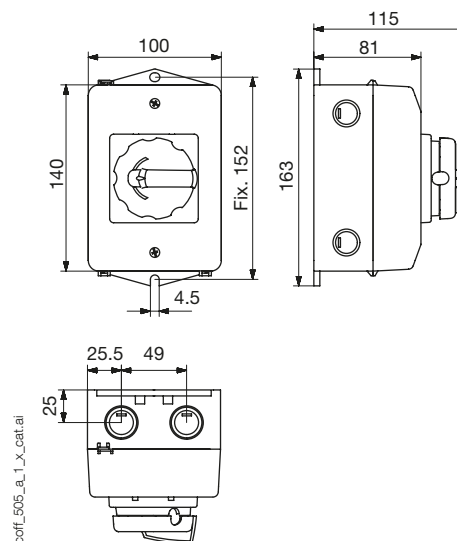
Dimensions

Size CPC 0



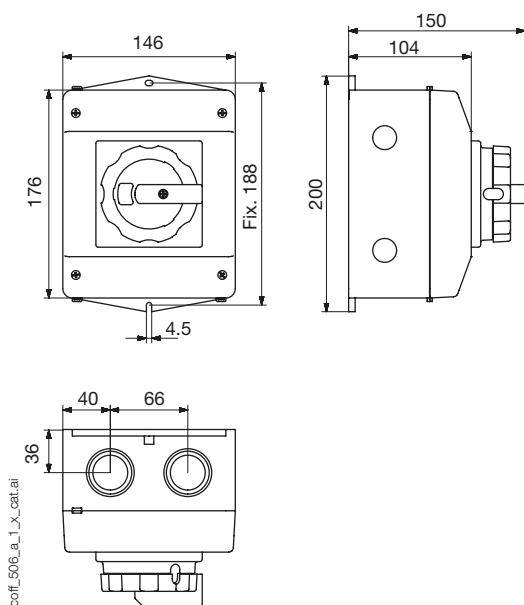
- 4x M25 pre-drilled holes (top and bottom)

Size CPC 1



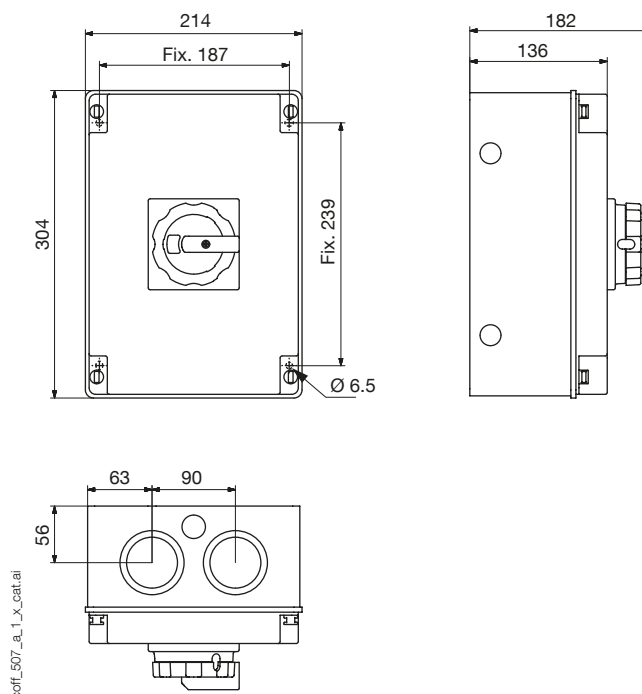
- 4x M20 pre-drilled holes (on the side)
- 4x M25 pre-drilled holes (top and bottom)
- 4 pre-drilled holes to expel water

Size CPC 2



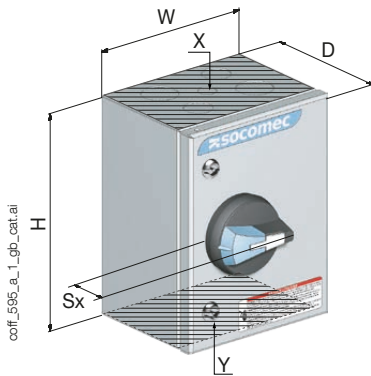
- 4x M20 pre-drilled holes (on the side)
- 4 M32/M40 pre-drilled holes (top and bottom)
- 2 pre-drilled holes to expel water

Size CPC 3



- 4x M20 pre-drilled holes (on the side)
- 4x M50/M63 pre-drilled holes and 2x M20 pre-drilled holes (on the side)
- 2 pre-drilled holes to expel water

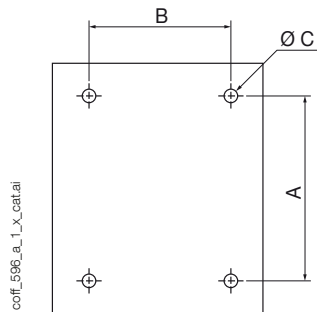
Enclosures



coff_595_a_1_gb_cat.ai

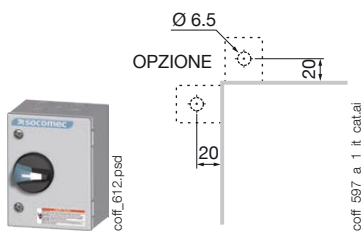
Size	Type	H x W x D (mm)	Sx (mm)	A (mm)	B (mm)	Diameter C (mm)	X - Y Cable-in top and bottom ⁽¹⁾
CT 21, CI21, CT 21a	1	200 x 150 x 120	36	135	85	6.5	2 x Ø 25 + 2 x Ø 32 + Ø 16
CT 32, CI32, CT 32a		300 x 200 x 120		235	135		1 x Ø 32 + 2 x Ø 50 + Ø 16
CP 32	3	360 x 270 x 171	45	337	247		-
CP 53		540 x 360 x 171		516	337		
CP 75		720 x 540 x 201		696	516		
CT 43	2	400 x 300 x 210	60	362	262	12.5	
CT 66		600 x 600 x 300		562	562		380 x 100
CT 86		800 x 600 x 350		762	562		660 x 100
CT 128		1200 x 800 x 300		1162	762		

(1) For stainless steel enclosure, cable-in at bottom only



coff_596_a_1_x_cat.ai

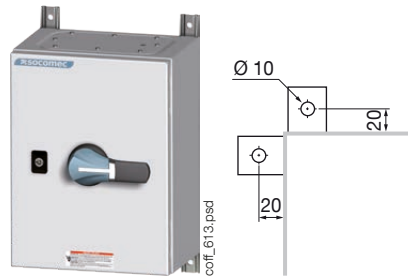
Type 1



coff_612.psd

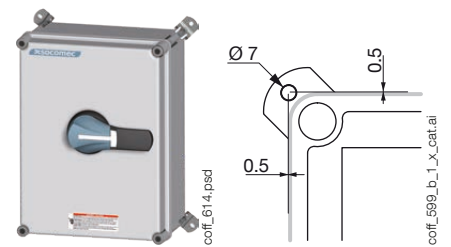
coff_597_a_1_it_cat.ai

Type 2



coff_613.psd

Type 3



coff_614.psd

coff_599_b_1_x_cat.ai